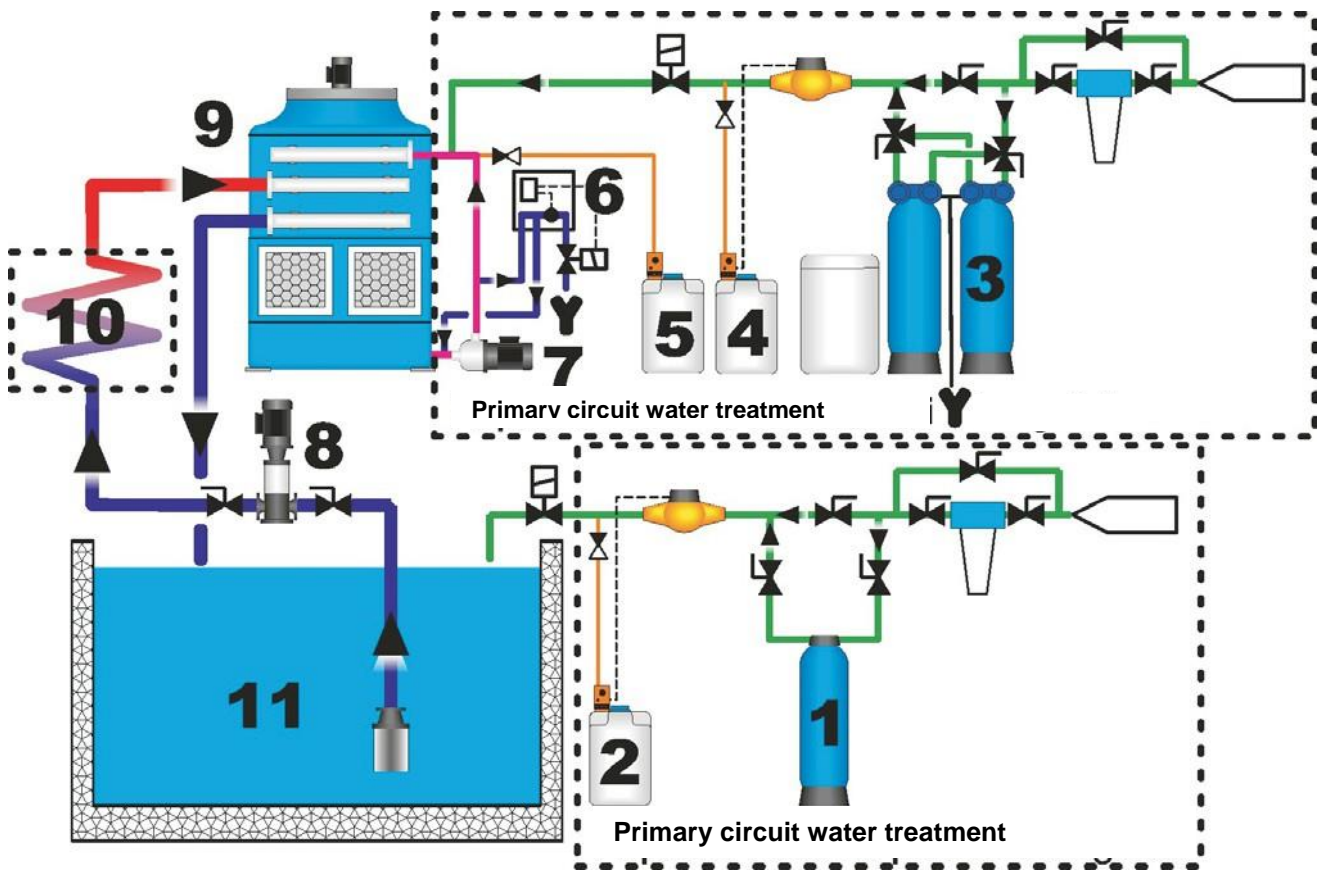


Scheme of chemical water treatment for cooling systems with closed circuit



- 1- Demi unit
- 2 - Corrosion inhibitor dosing station
- 3 –Softening device
- 4 - Scale and corrosion inhibitor dosing station
- 5 - Biocide dosing station
- 6 – Blow down unit
- 7 – Secondary circuit recirculation pump
- 8 – Primary circuit recirculation pump
- 9 – Closed type cooling tower
- 10 - User
- 11 - Reservoir

We reserve us the rights for technical changes

01-0040-001-0116-ENG