

## DOSING PUMP DP K PLUS

Magnetic - diaphragm dosing pump series K PLUS

### Description

Dosing pump DP is used for dosing non-abrasive and non-combustible liquids. There are numerous control options of the pump via its divider and pulse multiplier, input 4 - 20 mA, voltage input, as well as external digitally controlled timer.

Network frequency synchronization is carried out due to more proportional magnet power supply which results in more accurate dosing and a longer magnet life span.



### Types of series K PLUS

#### K PLUS

Constant proportional pump with level control, pulse divider and pulse multiplier.

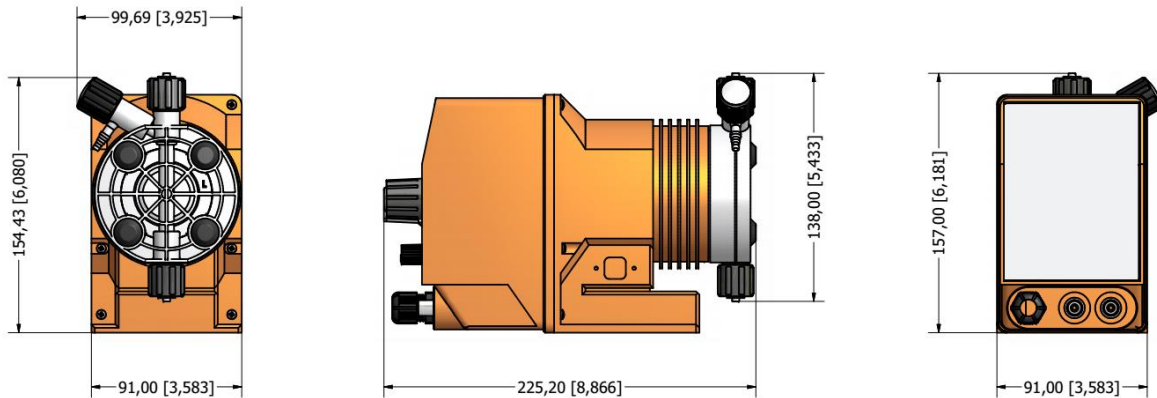
#### KCO PLUS

Constant pump with speed reducer.

#### KCL PLUS

Constant pump with level control and speed reducer.

## Dimensions



Dimension in millimeters [inch].

## Technical data

Dosing pump	Unit	1,0 / 20	2,0 / 18	4,0 / 15	5,0 / 10	8,0 / 8,0	10,0 / 05	18,0 / 02
Capacity at max. pressure	l/h	1,0	2,0	4,0	5,0	8,0	10,0	18,0
Max. pressure	bar	20	18	15	10	8	5	2
Volume per stroke	ml	0,09	0,19	0,37	0,46	0,74	0,93	1,67
Strokes speed	min <sup>-1</sup>	180	180	180	180	180	180	180
<b>Power supply</b>								
Nominal power	W	19						
Voltage	VAC / VDC	230 / 24						
<b>Standard materials</b>								
Enclosure	PP							
Pump head	PVDF							
Diaphragm	PTFE							
Valve balls	Ceramic							
Valve body	PVDF							
Inlet/outlet connection	PVDF							
Delivery/suction hose	PVDF / PVC							
<b>Connections</b>								
Delivery hose (PVDF)	mm	4 x 6	4 x 6	4 x 6	4 x 6	4 x 6	4 x 6	6 x 8
Suction hose	mm	4 x 6	4 x 6	4 x 6	4 x 6	4 x 6	4 x 6	6 x 8
Weight	kg	4,1	4,1	4,1	4,1	4,1	4,1	4,1

Data for power is measured with H<sub>2</sub>O at 20 °C and maximal pressure.

## Controlling modes

	K PLUS	KCO PLUS	KCL PLUS
Input	digital	without	without
Controlling mode	pulse divider and multiplier	stroke length strokes speed	stroke length strokes speed