

DOSING PUMP DP AMS PLUS

Magnetic - diaphragm dosing pump series AMS PLUS

Description

Dosing pump DP is used for dosing non-abrasive and non-combustible liquids. There are numerous control options of the pump via its divider and pulse multiplier, input 4 - 20 mA, voltage input, as well as integrated digitally controlled timer.

Network frequency synchronization is carried out due to more proportional magnet power supply which results in more accurate dosing and a longer magnet life span.



Types of series AMS PLUS

AMS PLUS

Constant proportional pump with integrated pulse divider, pulse multiplier and level control.

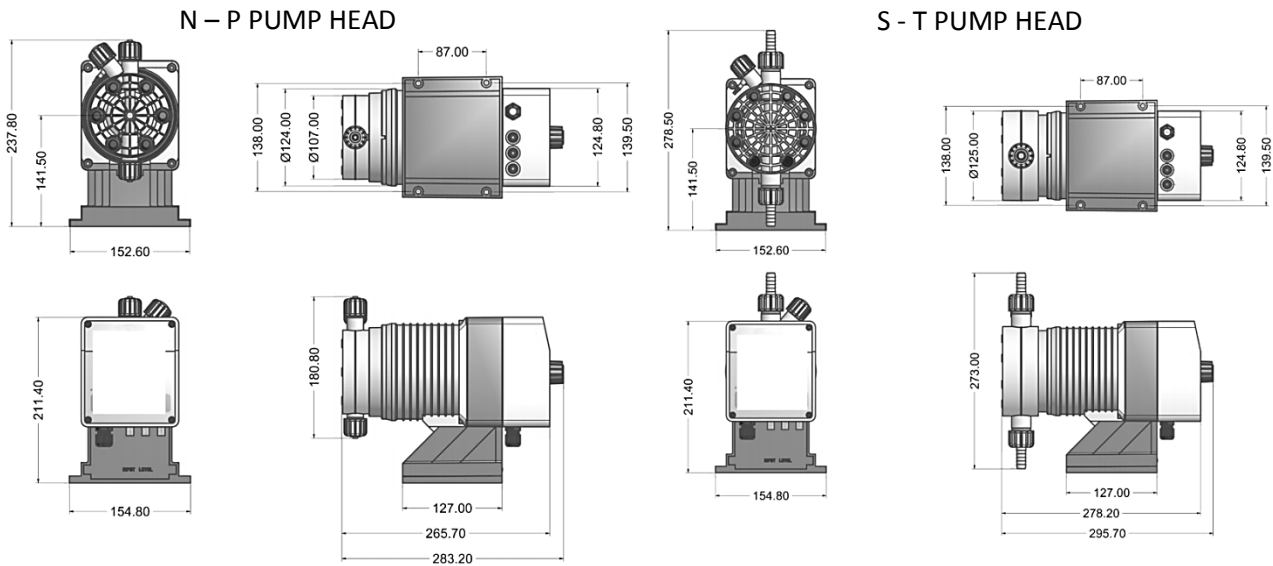
AMS CL PLUS

Constant pump with speed reducer.

AMS CO PLUS

Constant pump with speed reducer and level control.

Dimensions



Dimensions in millimeters!

Technical data

| Dosing pump | Unit | 5,0 / 25 | 10,0 / 15 | 15,0 / 10 | 20,0 / 7 | 40,0 / 3 | 60,0 / 2 |
|---------------------------|-------------------|------------|-----------|-----------|----------|----------|----------|
| Capacity at max. pressure | l/h | 5,0 | 10,0 | 15,0 | 20,0 | 40,0 | 60,0 |
| Max. pressure | bar | 25 | 15 | 10 | 7 | 3 | 2 |
| Volume per stroke | ml | 0,7 | 1,40 | 2,08 | 2,80 | 5,60 | 7,70 |
| Strokes speed | min ⁻¹ | 120 | 120 | 120 | 120 | 120 | 130 |
| Pump head | type | L | M | M | N | S | T |
| Power supply | | | | | | | |
| Nominal power | W | 42 | | | | | |
| Voltage | VAC / VDC | 230 / 24 | | | | | |
| Standard materials | | | | | | | |
| Enclosure | | PP | | | | | |
| Pump head | | PVDF | | | | | |
| Valve ball | | Ceramic | | | | | |
| Valve body | | PVDF | | | | | |
| Inlet/outlet connection | | PVDF | | | | | |
| Delivery/suction hose | | PVDF / PVC | | | | | |
| Connection | | | | | | | |
| Delivery hose (PVDF) | mm | 4 x 6 | 4 x 6 | 6 x 8 | 6 x 8 | 8 x 10 | 8 x 10 |
| Suction hose | mm | 4 x 6 | 4 x 6 | 6 x 8 | 6 x 8 | 8 x 12 | 8 x 12 |
| Weight | kg | 9 | 9 | 9 | 9 | 9 | 9 |

Data for power is measured with H₂O at 20 °C and maximal pressure.