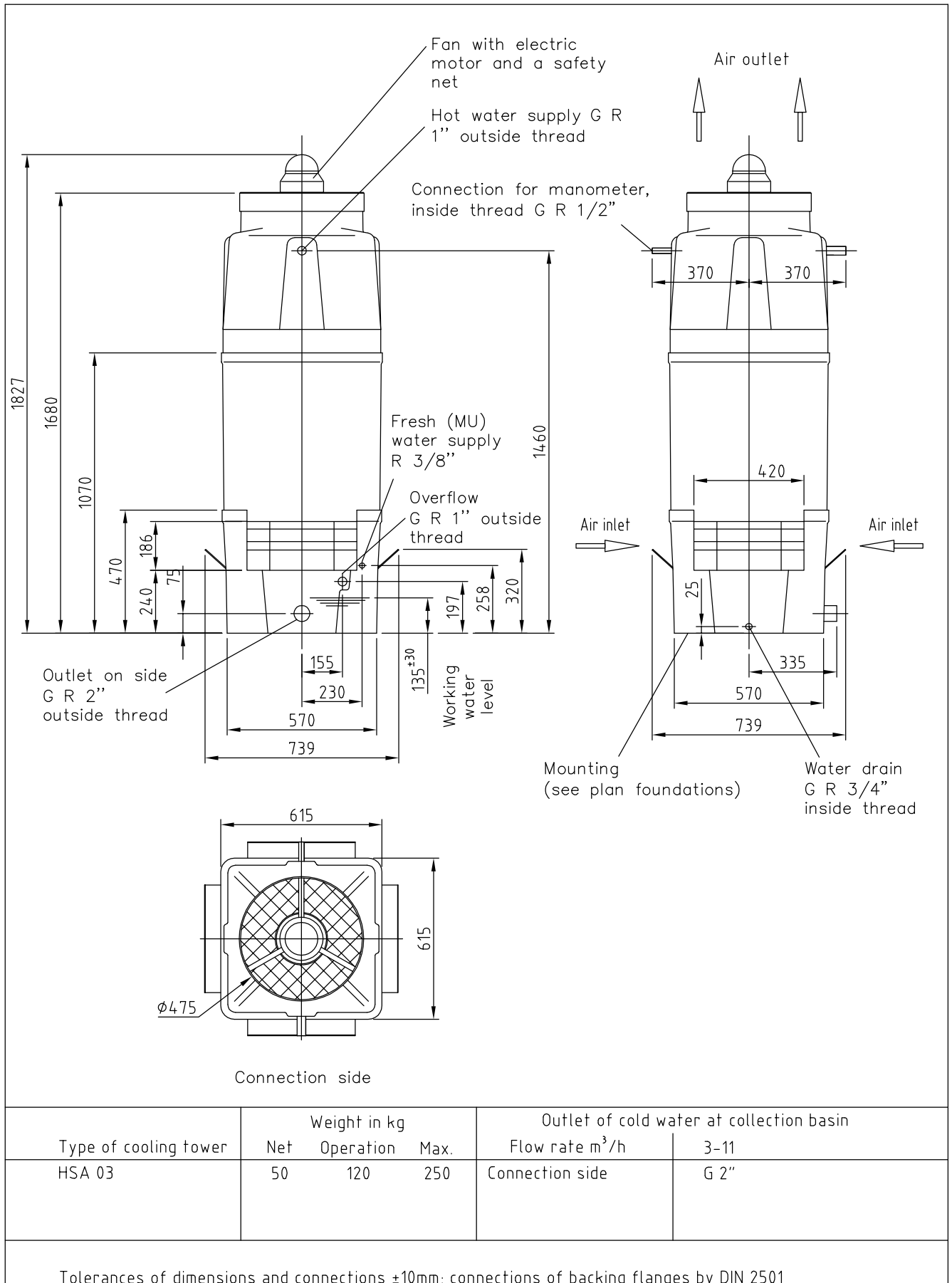


Data sheet COOLING TOWER HSA 03

Version with water-collection basin

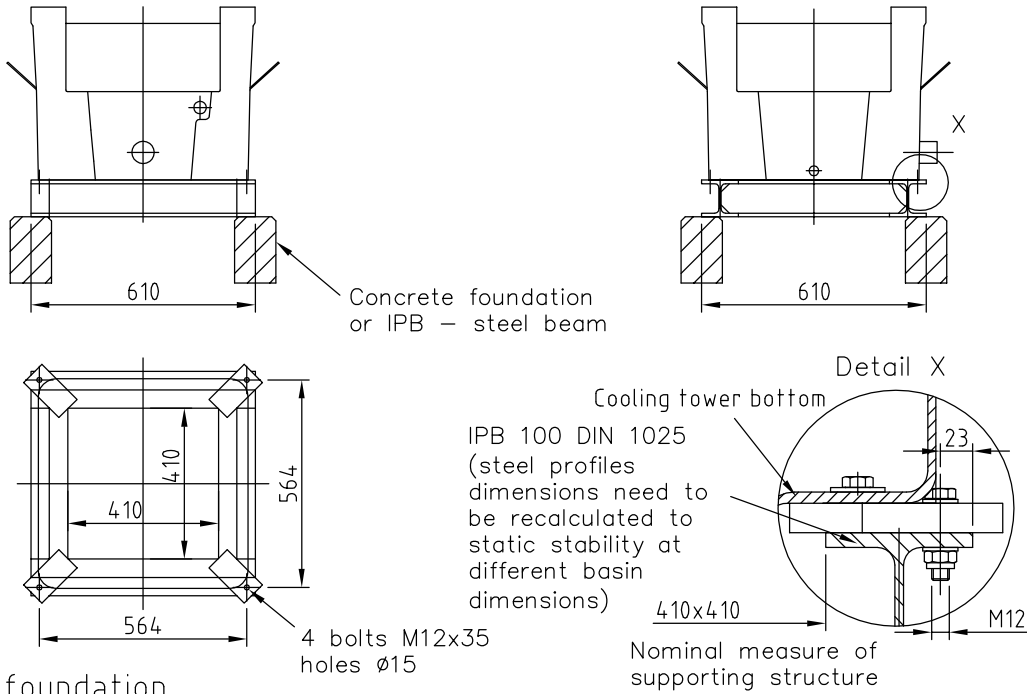


02-1010-001-0516-EN We reserve the right to make technical changes!

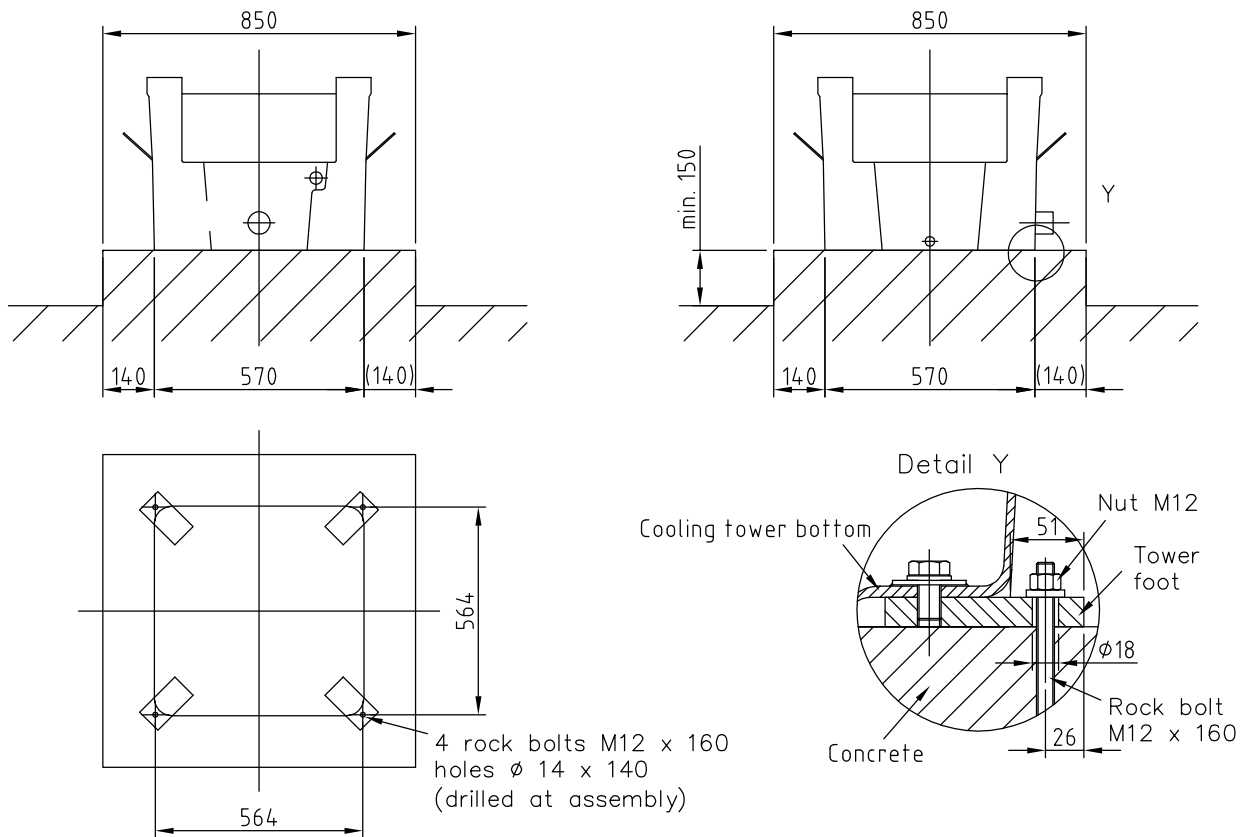
Foundations plan HSA 03

Version with water-collection basin

Supporting structure



Concrete foundation



Notes

- Views of the base and steel constructions
- Tolerances of the base by DIN 18205