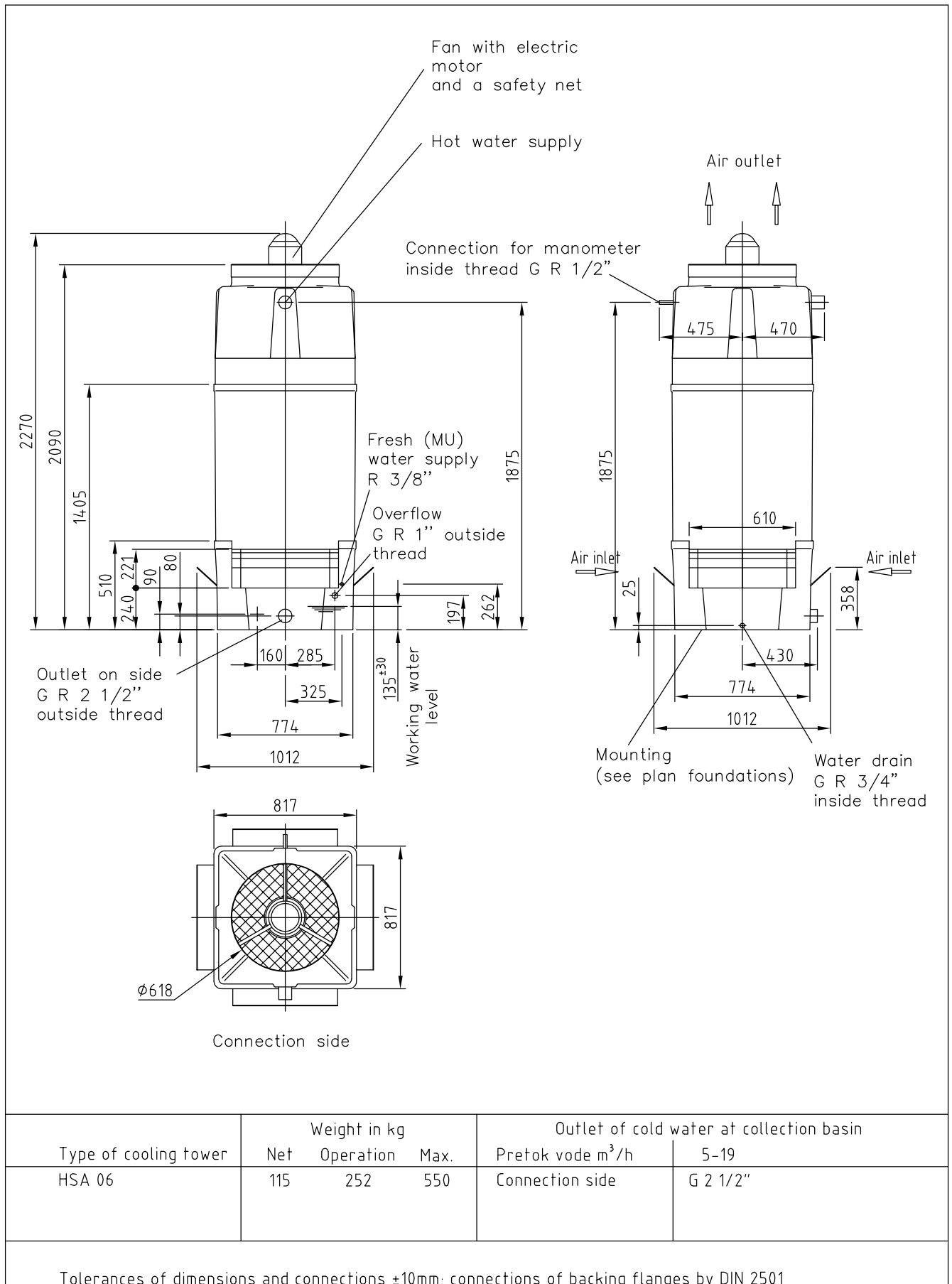


EQUIPMENT FOR COOLING SYSTEMS

Data sheet COOLING TOWER HSA 06

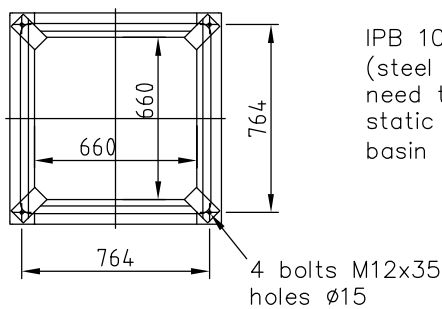
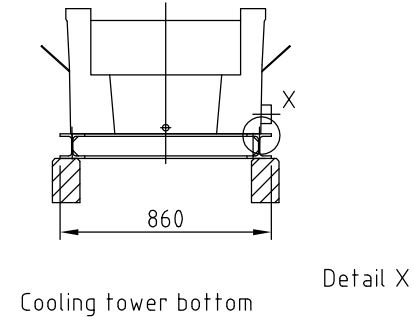
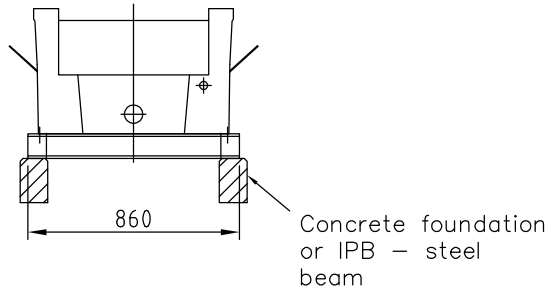
Version with water-collection basin



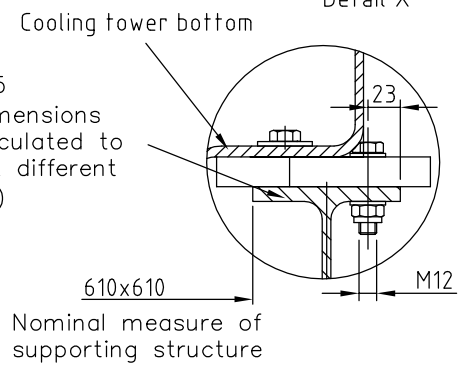
Foundations plan HSA 06

Version with water-collection basin

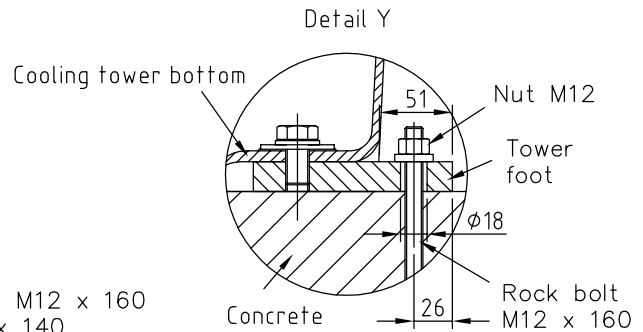
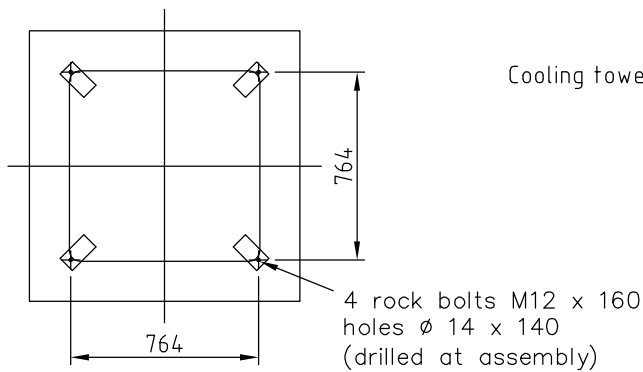
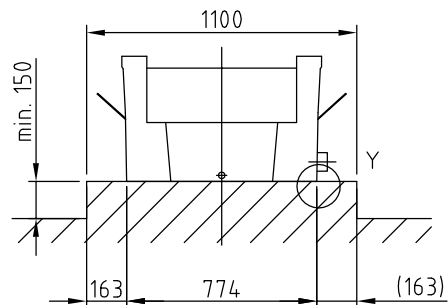
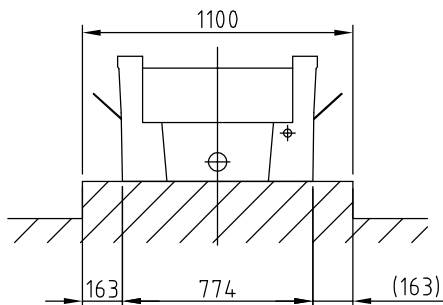
Supporting structure



IPB 100 DIN 1025
(steel profiles dimensions need to be recalculated to static stability at different basin dimensions)



Concrete foundation



Notes

- Views of the base and steel constructions
- Tolerances of the base by DIN 18205