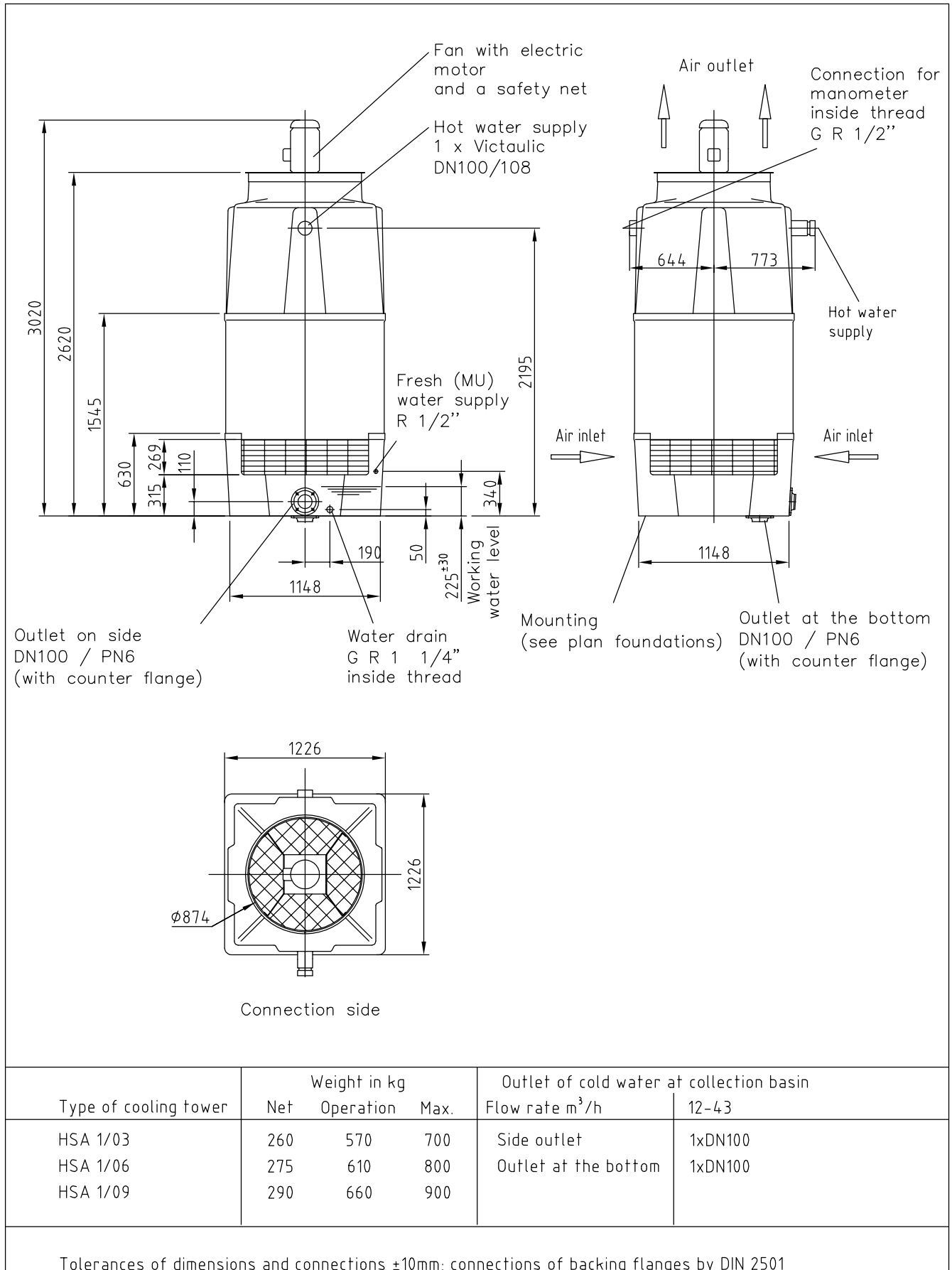


## Data sheet COOLING TOWER HSA 1

Version with water-collection basin

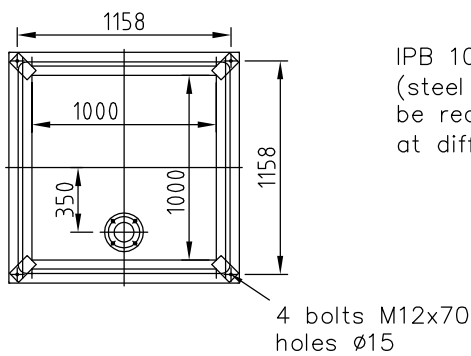
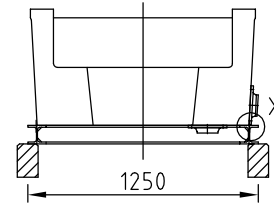
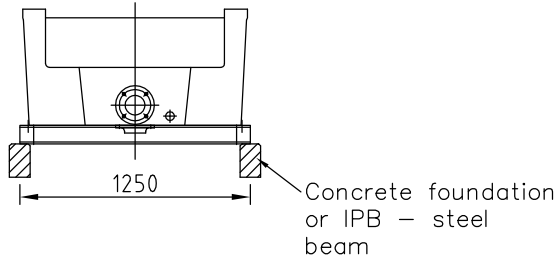


02-1030-001-0516-EN We reserve the right to make technical changes!

Foundations plan HSA 1

Version with water-collection basin

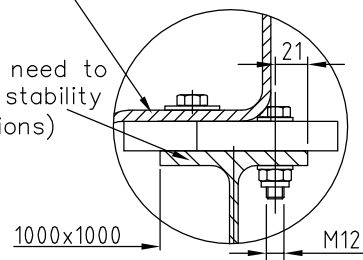
Supporting structure



Cooling tower bottom

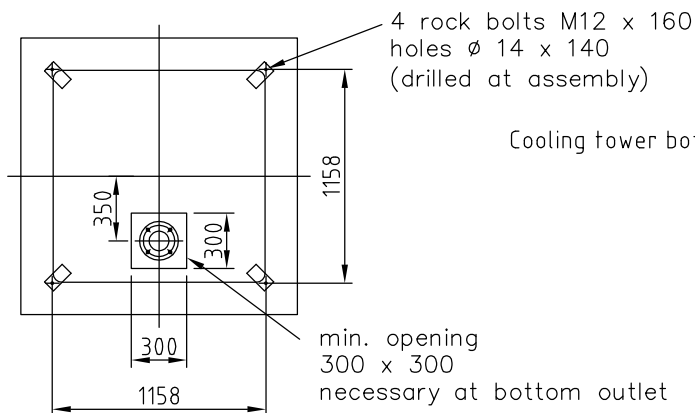
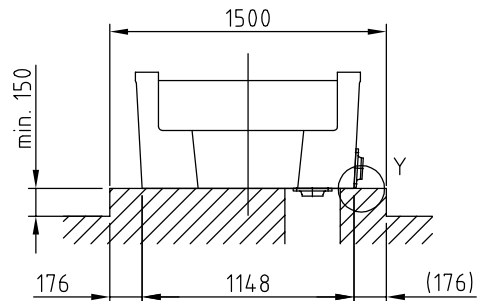
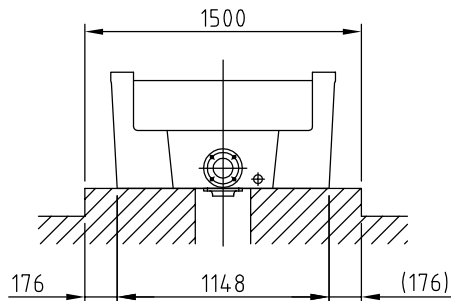
Detail X

IPB 100 DIN 1025  
(steel profiles dimensions need to be recalculated to static stability at different basin dimensions)



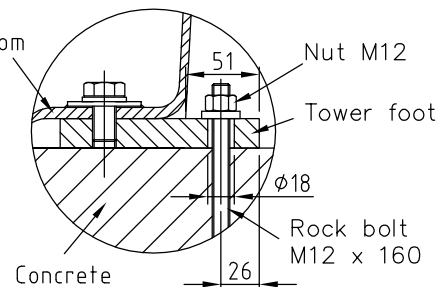
Nominal measure of supporting structure

Concrete foundation



Detail Y

Cooling tower bottom



Notes

- Views of the base and steel constructions
- Tolerances of the base by DIN 18205