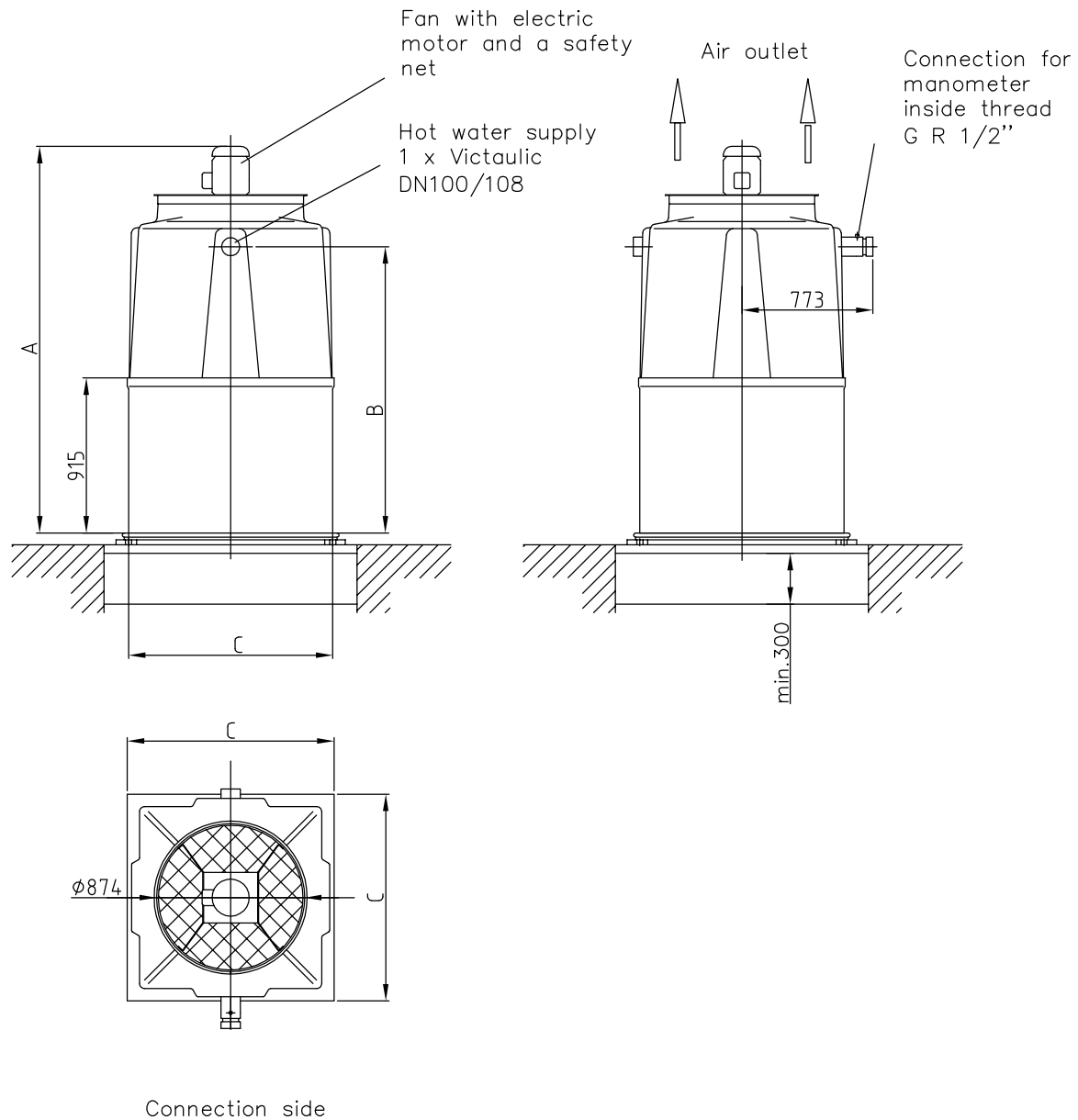


Data sheet COOLING TOWER HSA 1

Version without water-collection basin



Type of cooling tower	Dimensions in mm			Weight in kg		
	A	B	C	Net	Operation	Max.
HSA 1/03	2283	1690	1221	234	265	/
HSA 1/06	2283	1690	1221	244	296	/
HSA 1/09	2283	1690	1221	270	341	/

Tolerances of dimensions and connections ± 10 mm; connections of backing flanges by DIN 2501