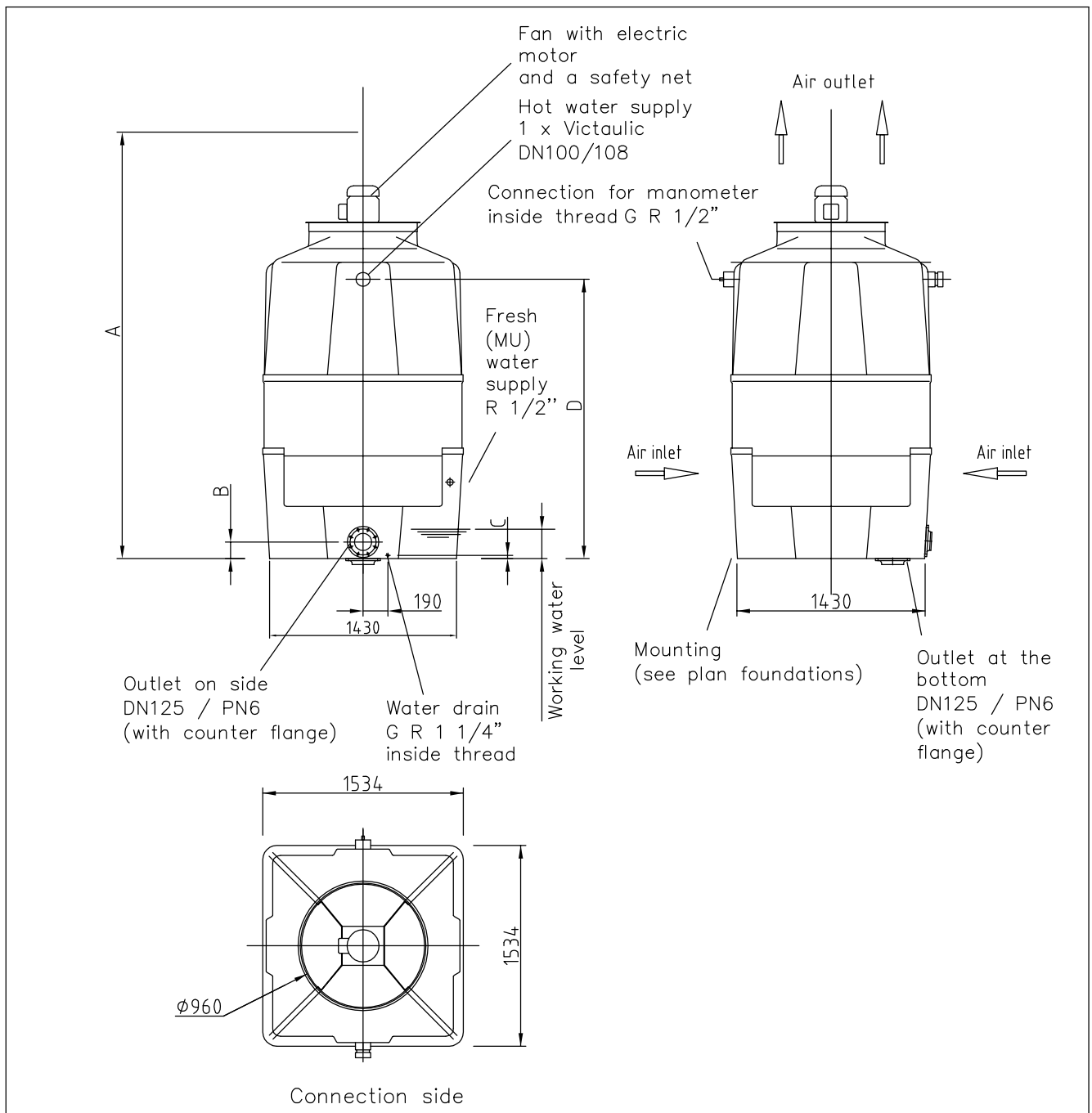


Data sheet COOLING TOWER HSA 2

Version with water-collection basin



Type of cooling tower	Dimensions in mm				Weight in kg	
	A	B	C	D	Net	Operation
HSA 2/06	2852	128	25	2136	349	1029
HSA 2/09	2852	128	25	2136	382	1077
Outlet of cold water at collection basin Pretok vode m ³ /h	20-66					
Side outlet	1xDN125					
Outlet at the bottom	1xDN125					
Tolerances of dimensions and connections ±10mm; connections of backing flanges by DIN 2501						

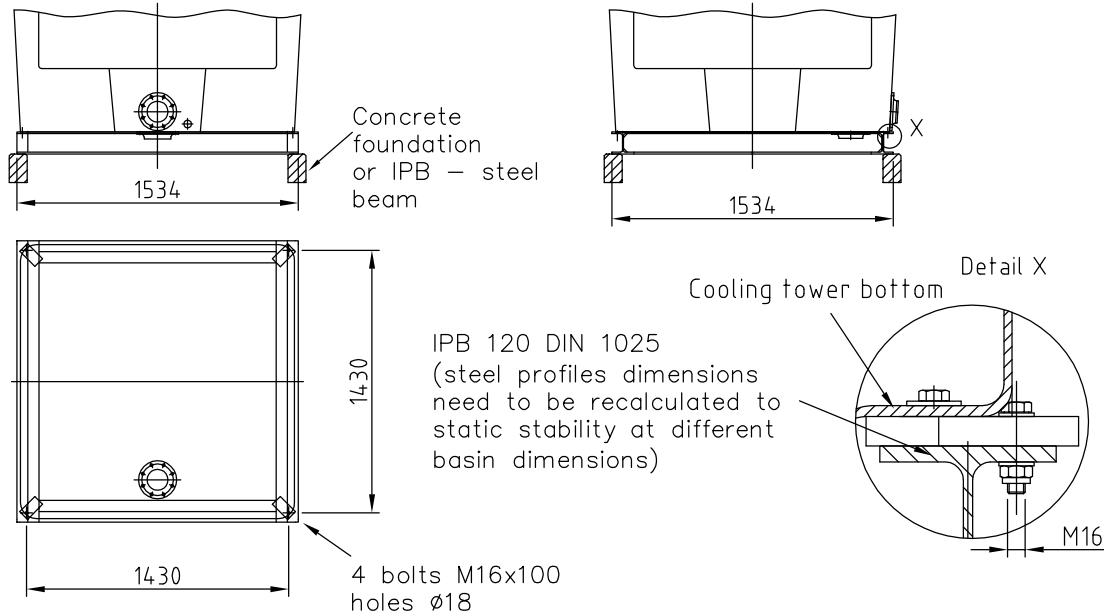
02-1040-001-0516-EN We reserve the right to make technical changes!



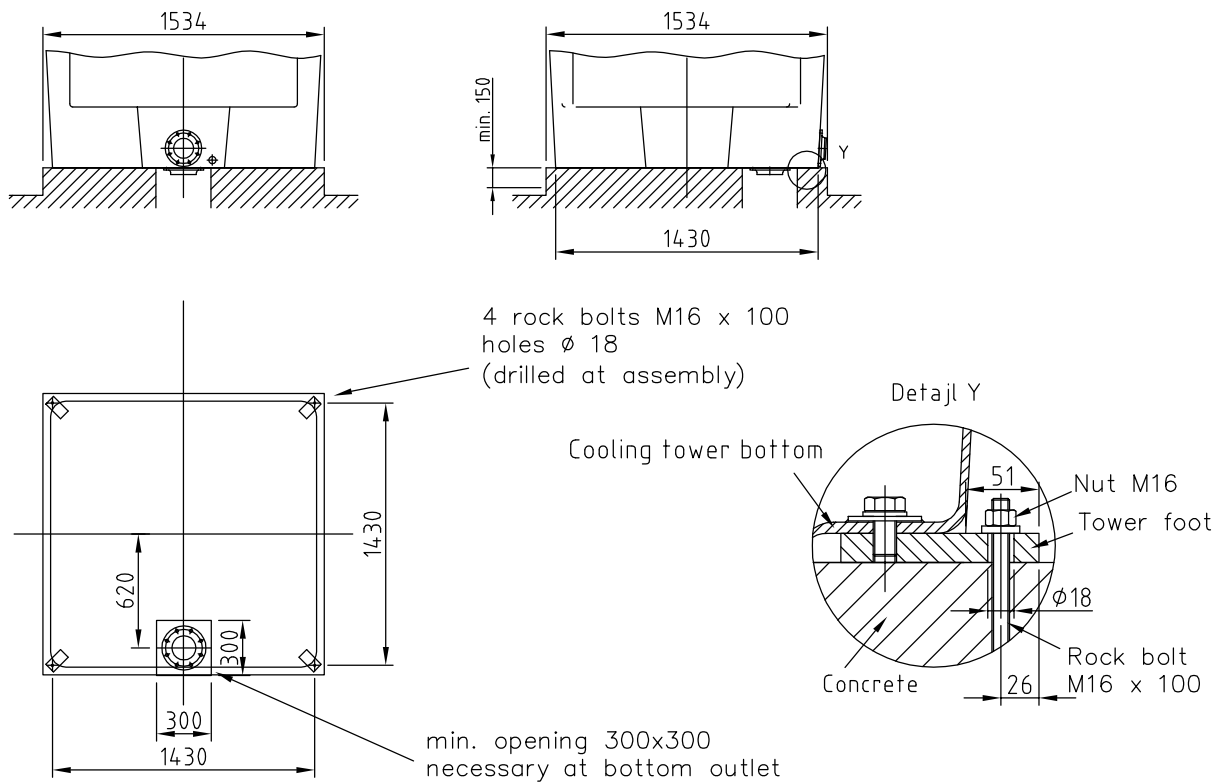
Foundations plan HSA 2

Version with water-collection basin

Supporting structure



Concrete foundation



Notes

- Views of the base and steel constructions
- Tolerances of the base by DIN 18205