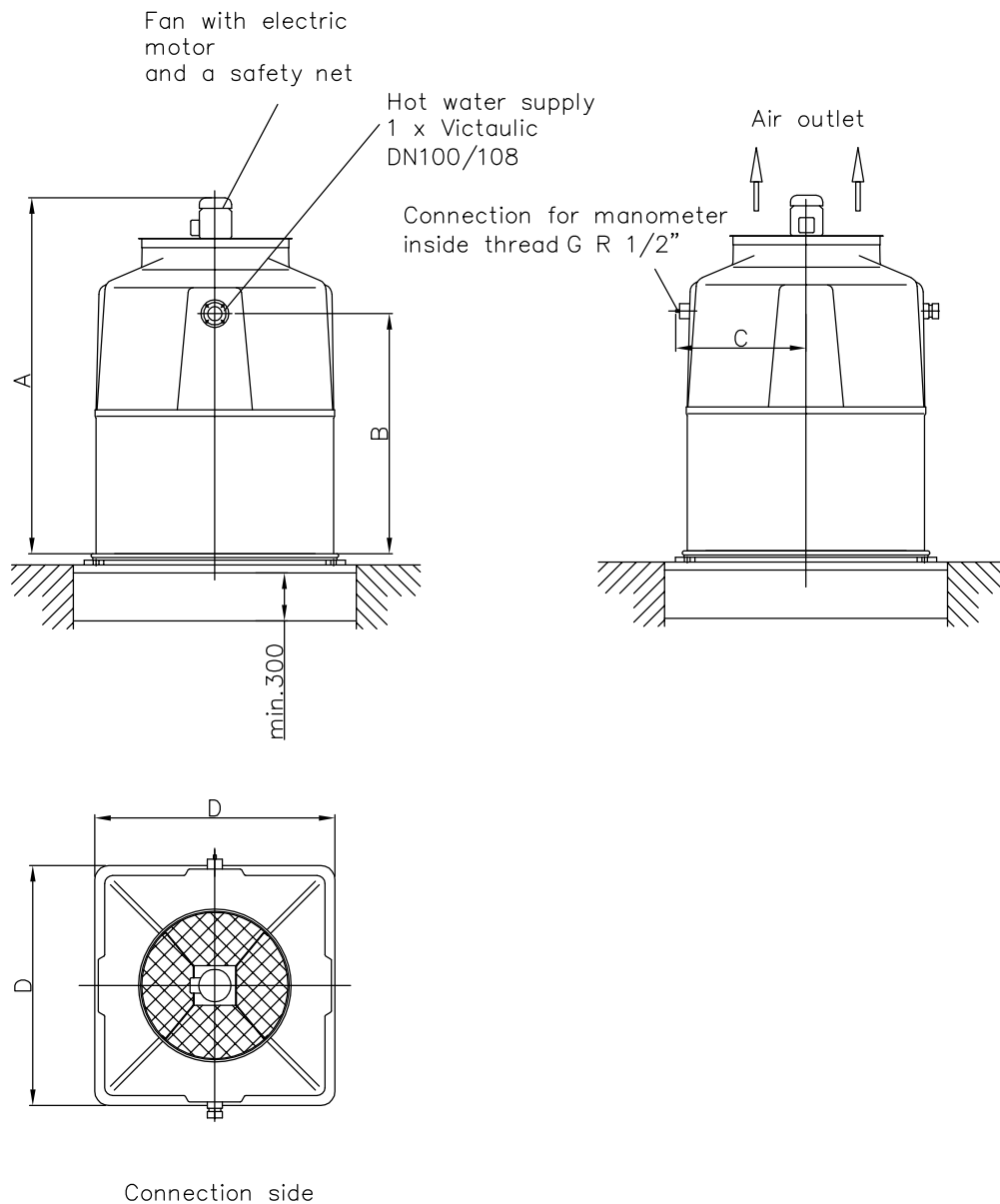


Data sheet COOLING TOWER HSA 2

Version without water-collection basin



Type of cooling tower	Dimensions in mm				Weight in kg		
	A	B	C	D	Net	Operation	Max.
HSA 2/03	2224	1500	815	1500	291	389	/
HSA 2/06	2224	1500	815	1500	311	484	/
HSA 2/09	2224	1500	815	1500	344	523	/

Tolerances of dimensions and connections $\pm 10\text{mm}$; connections of backing flanges by DIN 2501