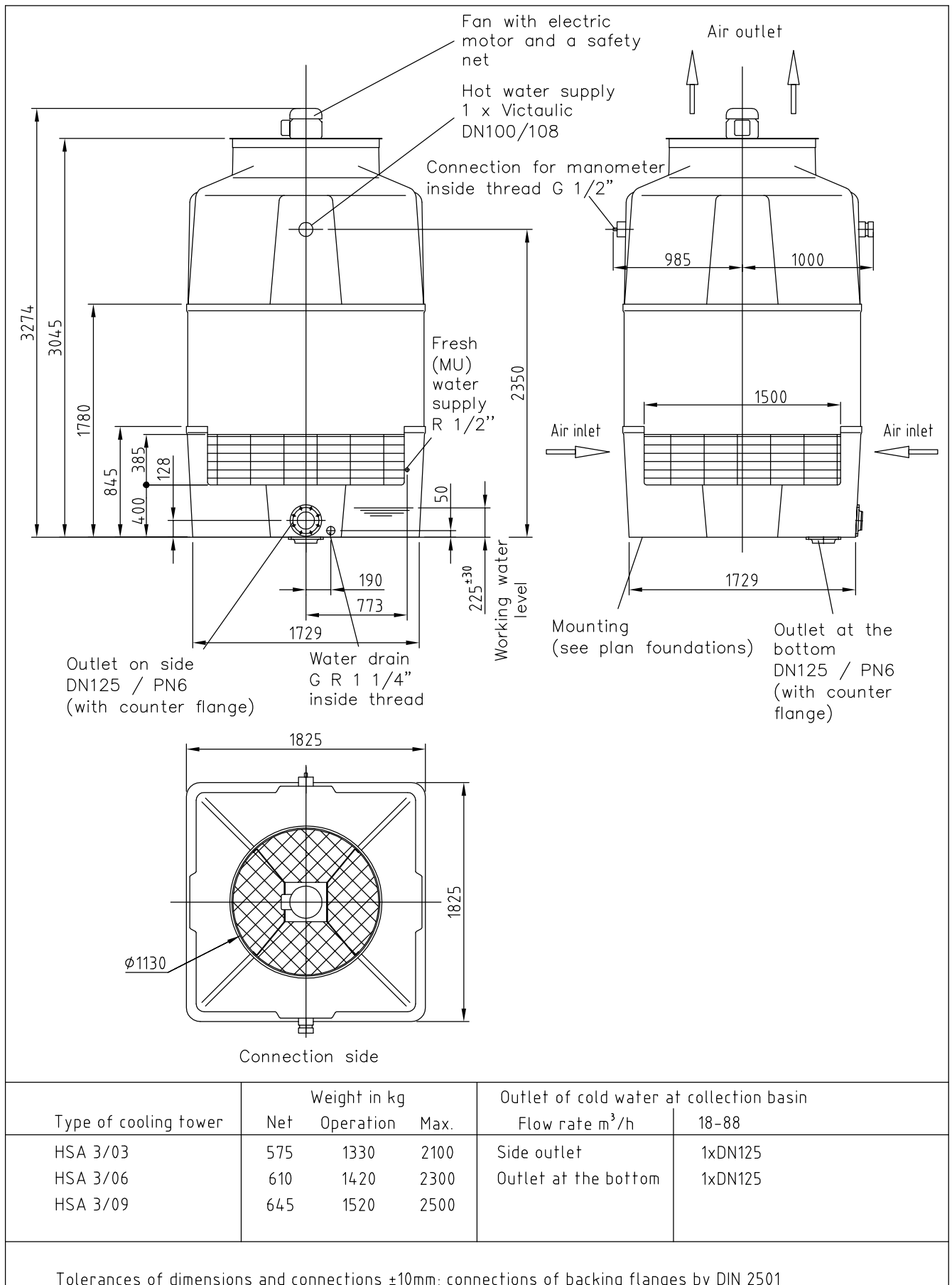


Data sheet COOLING TOWER HSA 3

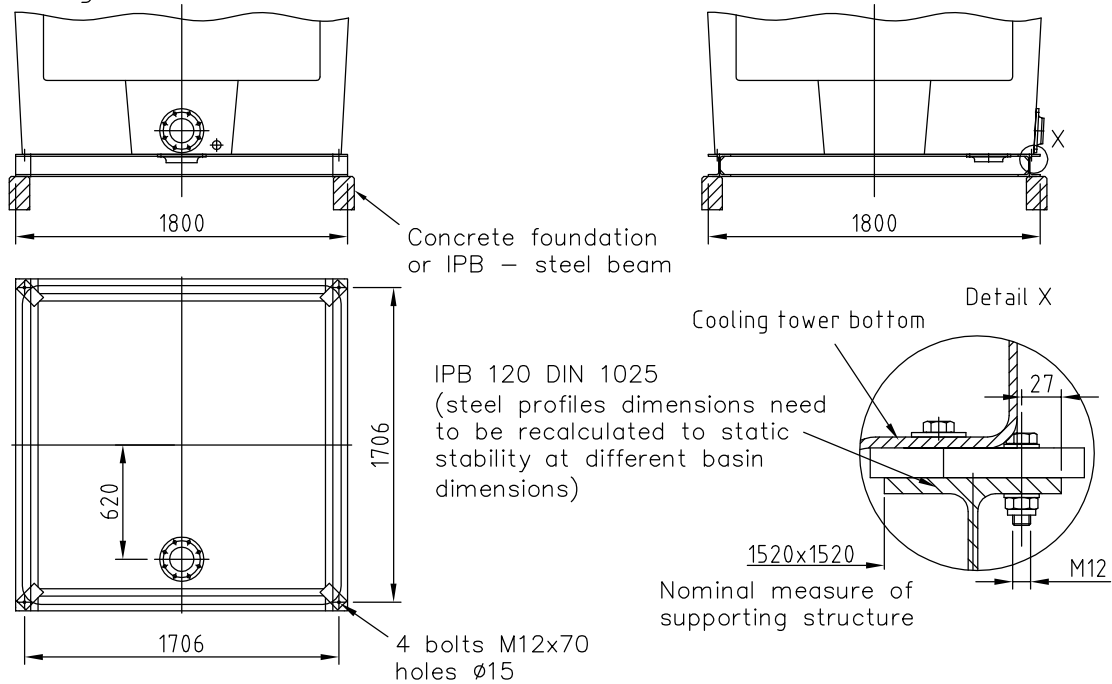
Version with water-collection basin



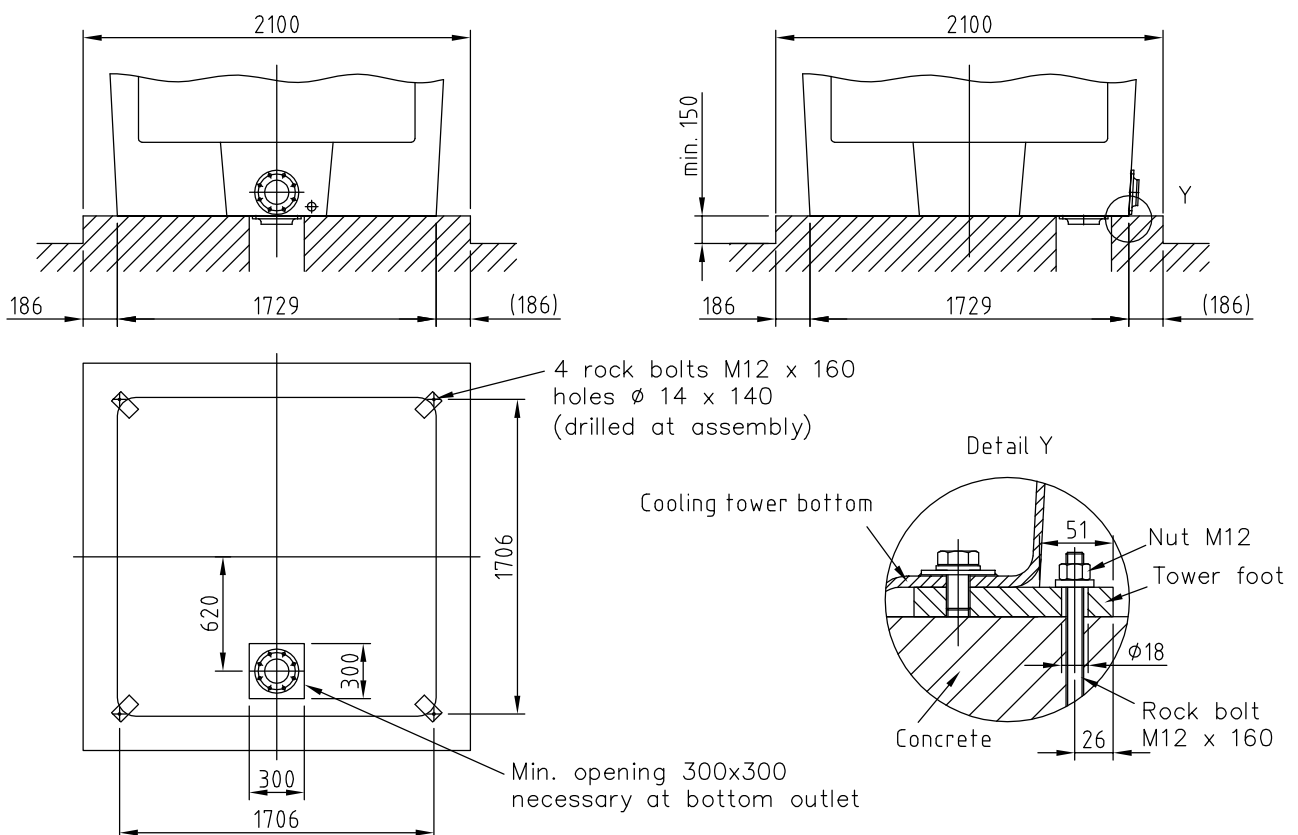
Foundations plan HSA 3

Version with water-collection basin

Supporting structure



Concrete foundation



Notes

- Views of the base and steel constructions
- Tolerances of the base by DIN 18205