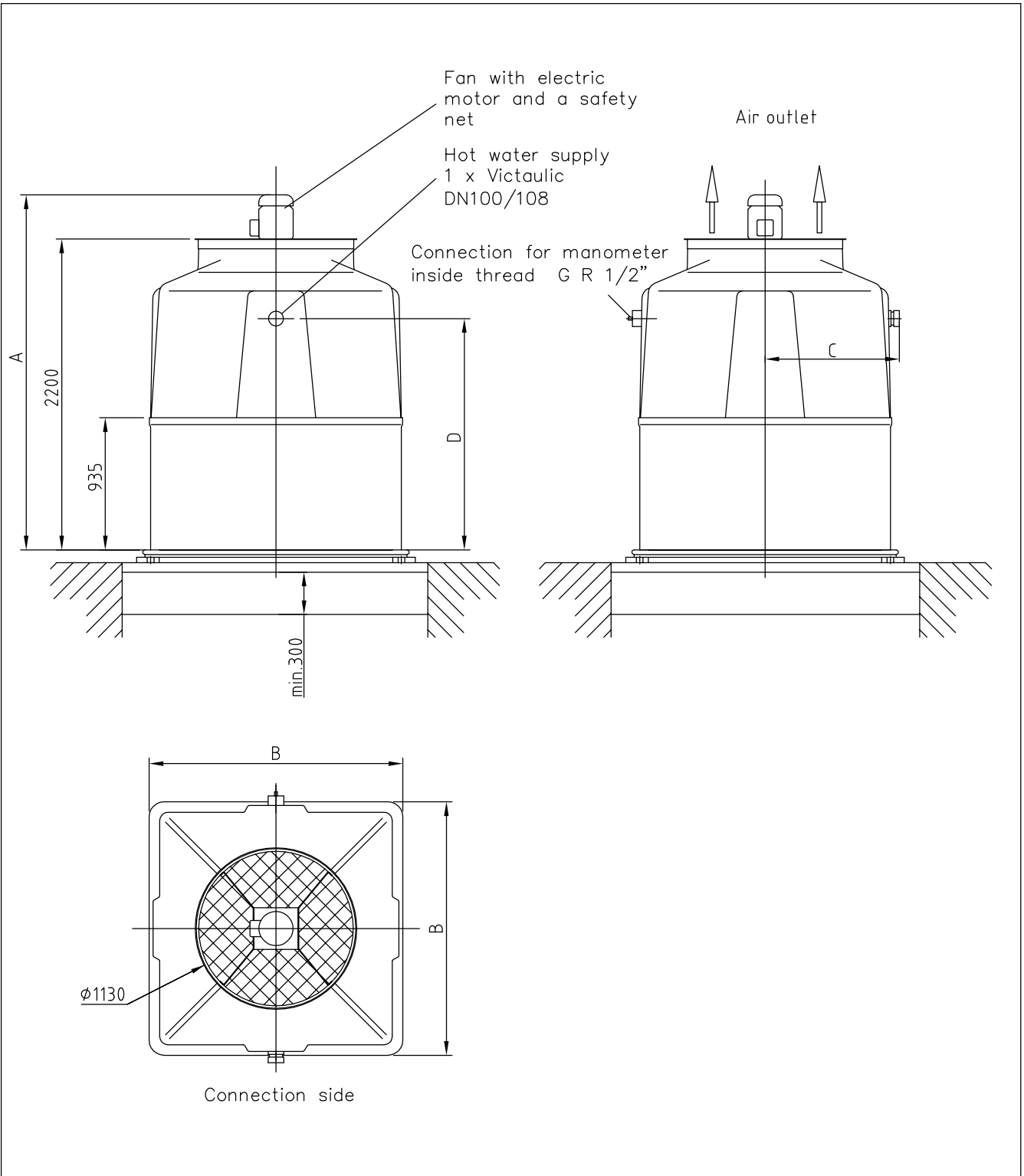


Data sheet COOLING TOWER HSA 3

Version without water-collection basin



Type of cooling tower	Dimensions in mm				Weight in kg		
	A	B	C	D	Net	Operation	Max.
HSA 3/03	2513	1794	950	1637	472	617	/
HSA 3/06	2513	1794	950	1637	504	1033	/
HSA 3/09	2513	1794	950	1637	553	1078	/

Tolerances of dimensions and connections ±10mm; connections of backing flanges by DIN 2501

02-1060-002-0516-EN We reserve the right to make technical changes!