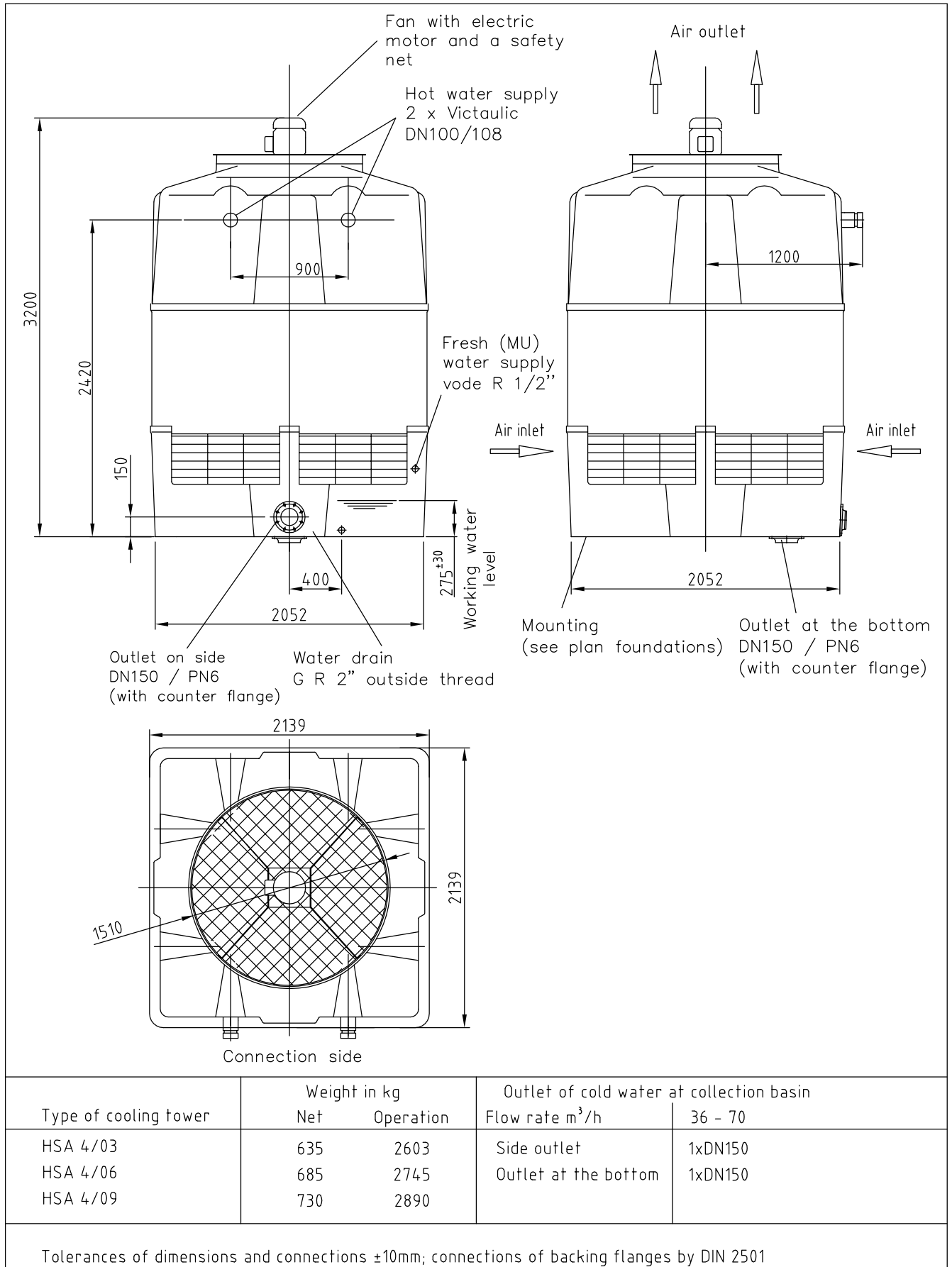


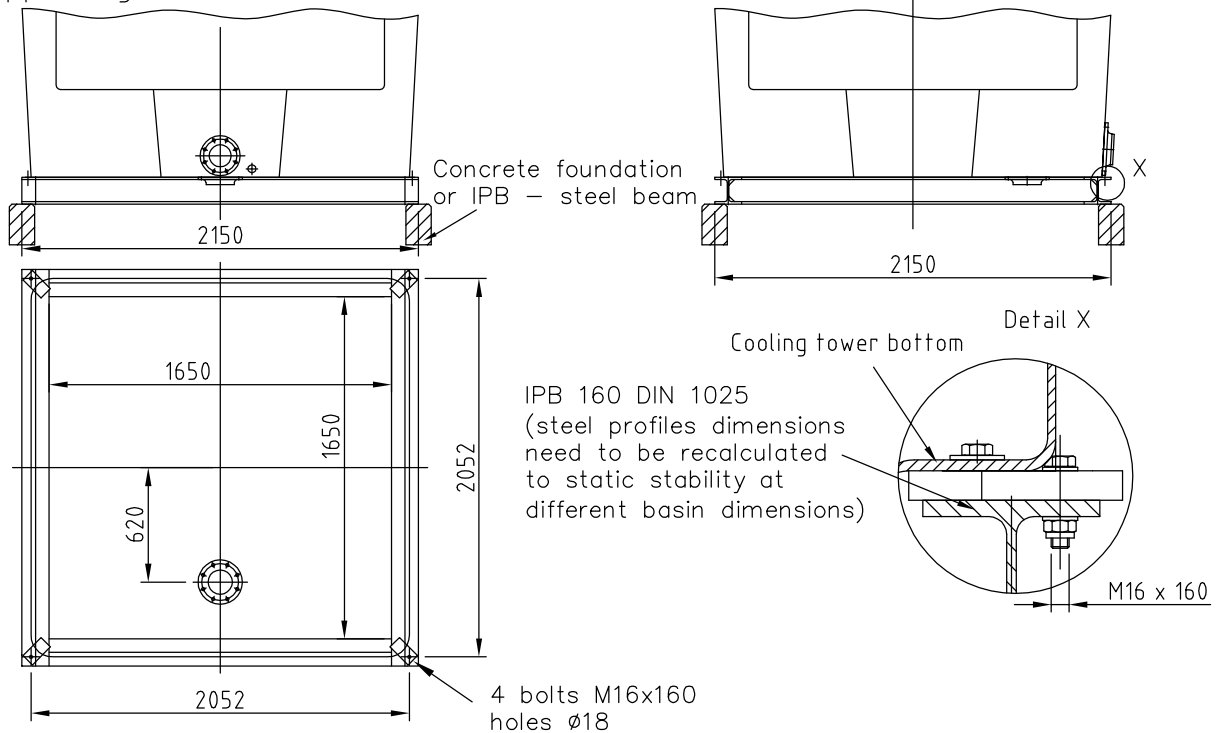
## Data sheet COOLING TOWER HSA 4 Version with water-collection basin



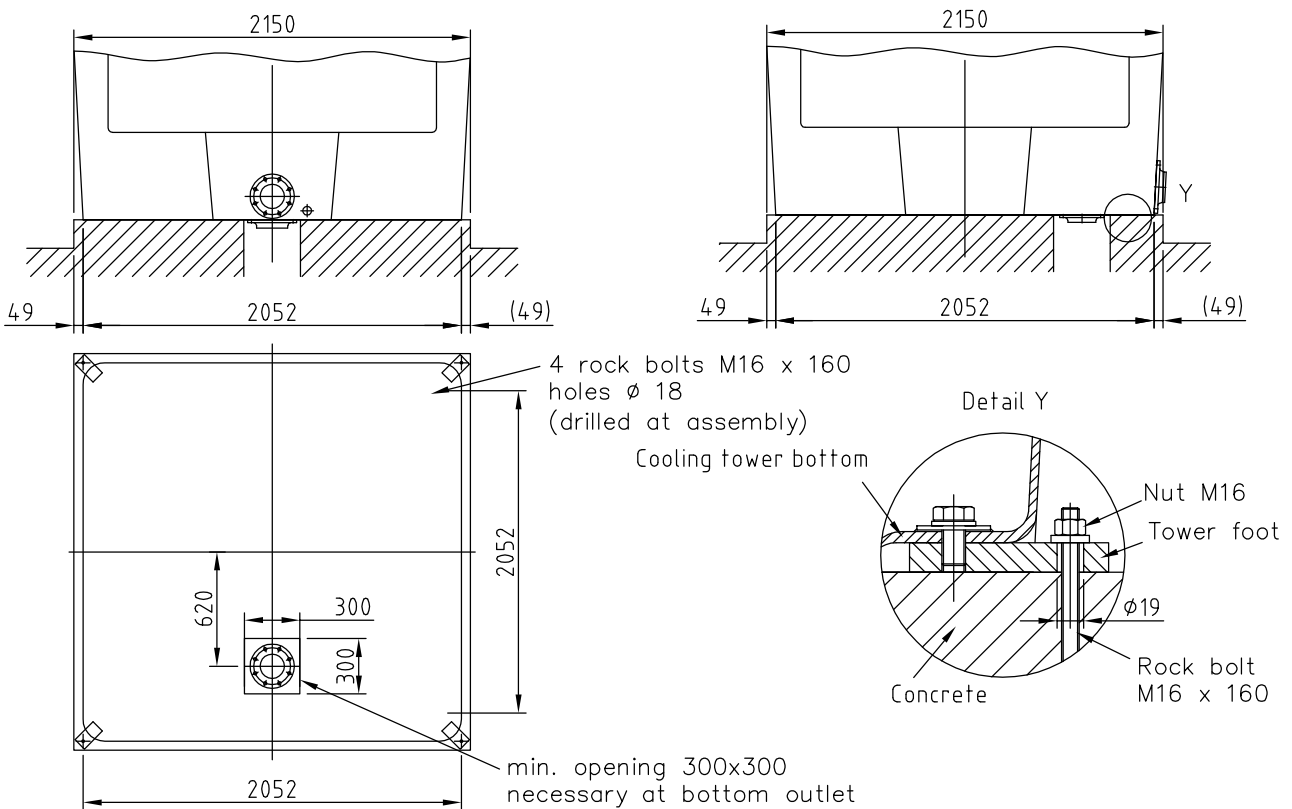
02-1070-001-0516-EN We reserve the right to make technical changes!

Foundations plan HSA 4  
Version with water-collection basin

Supporting structure



Concrete foundation



Notes

- Views of the base and steel constructions
- Tolerances of the base by DIN 18205