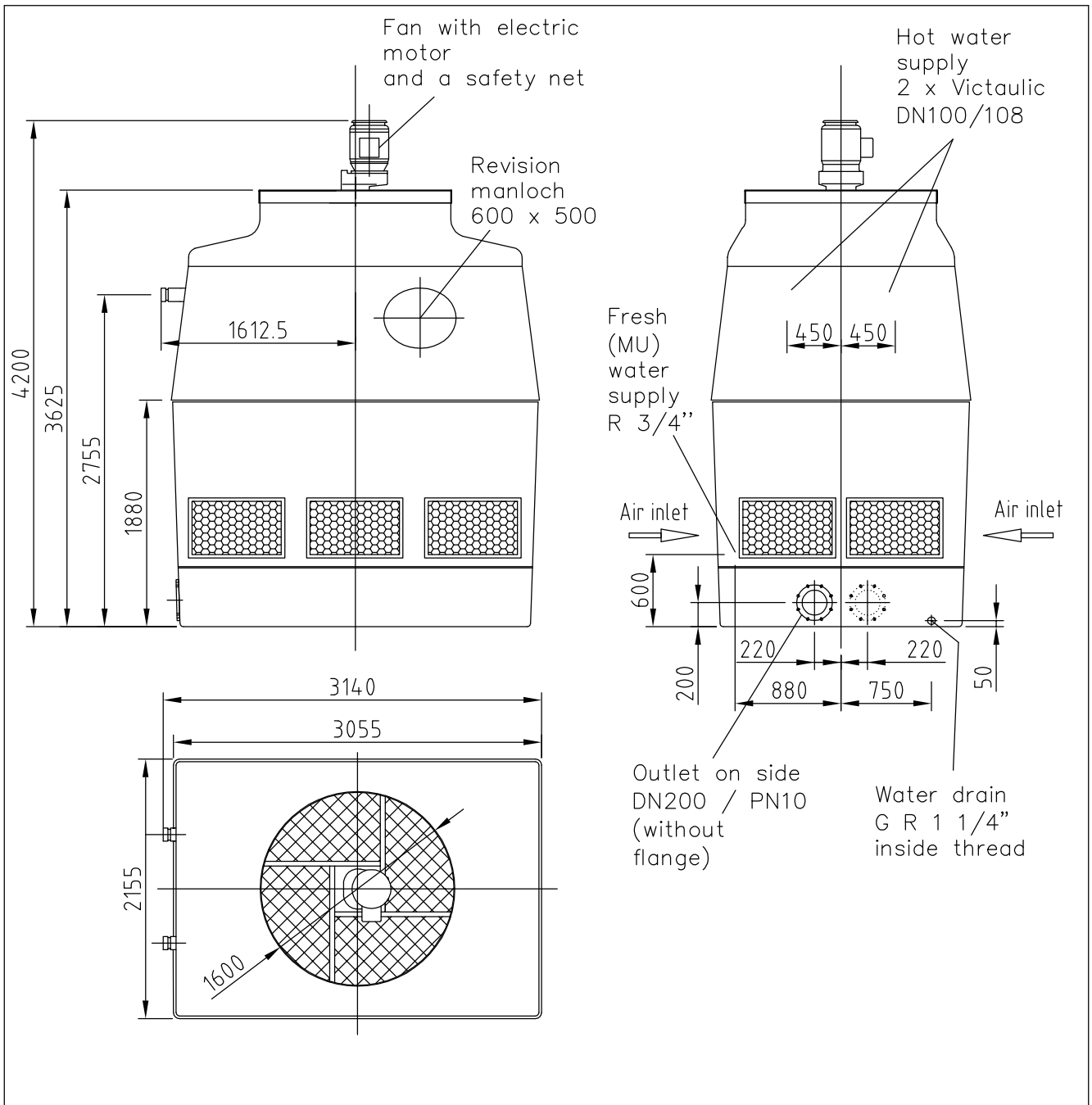


Data sheet COOLING TOWER HSA 6

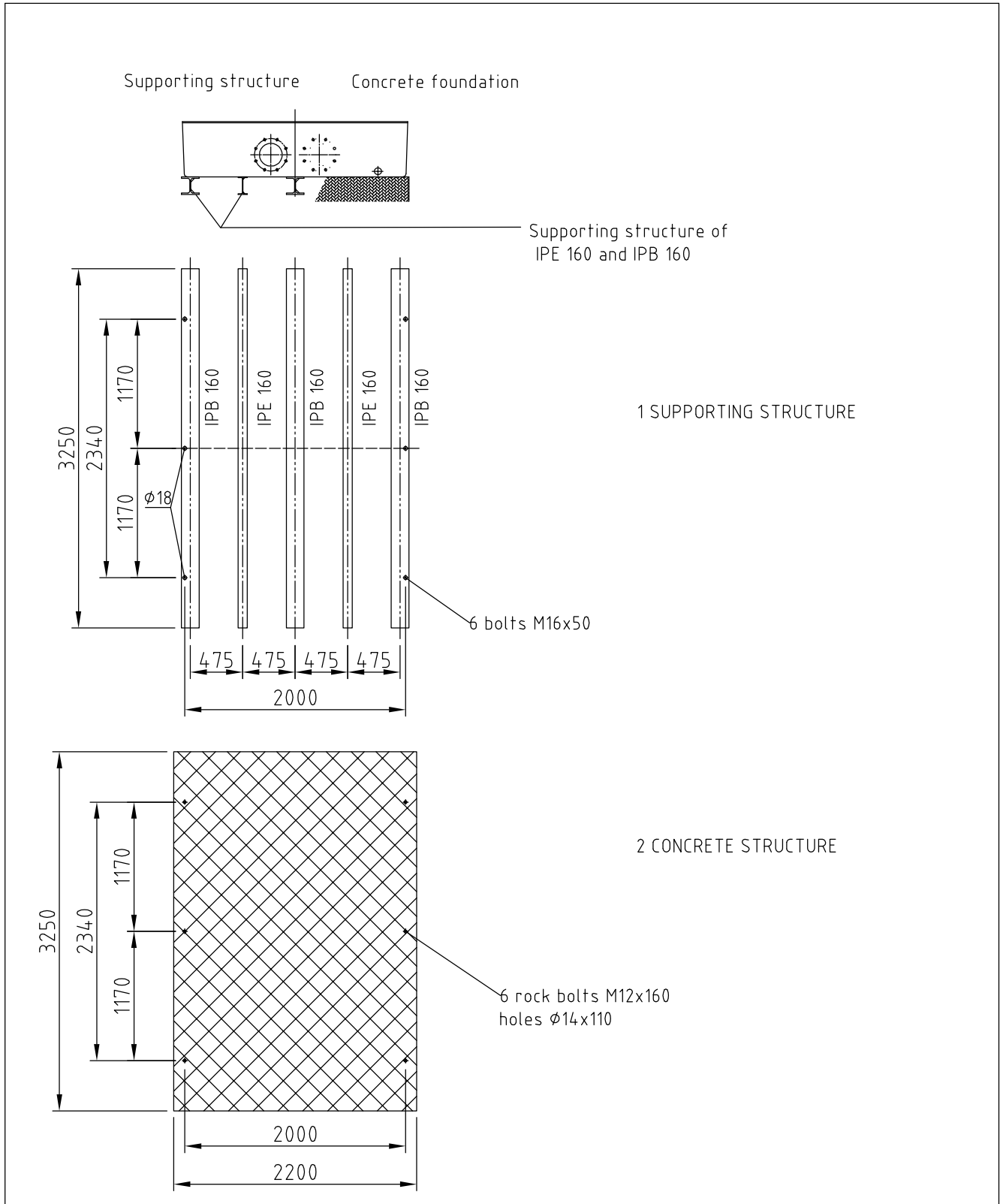
Version with water-collection basin



Type of cooling tower	Weight in kg			Working water level
	Net	Operation	Max.	
HSA 6	1.300	4.750	6.500	350 + 50 mm
Flow rate				
Range t/h	50-190			
Fresh (MU) water supply	R 3/4"			
Hot water supply	2xVictaulic DN100 / 108			
Side outlet	DN200 / 2xDN200			
Outlet at the bottom	1xDN250			

Tolerances of dimensions and connections ± 10 mm; connections of backing flanges by DIN 2501

Foundations plan HSA 6
Version with water-collection basin



Notes

- Views of the base and steel constructions
- Tolerances of the base by DIN 18205