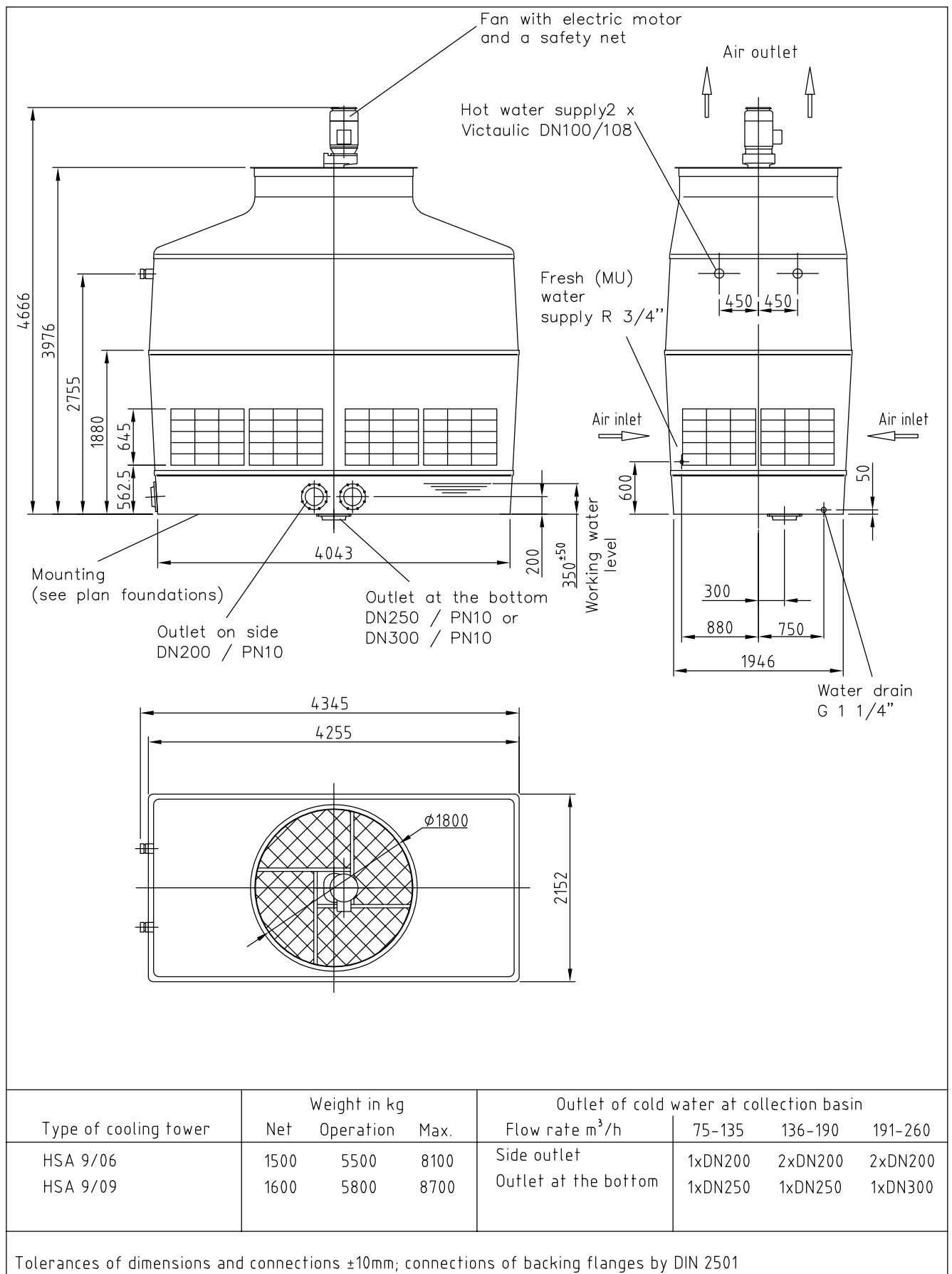


## Data sheet COOLING TOWER HSA 9

Version with water-collection basin



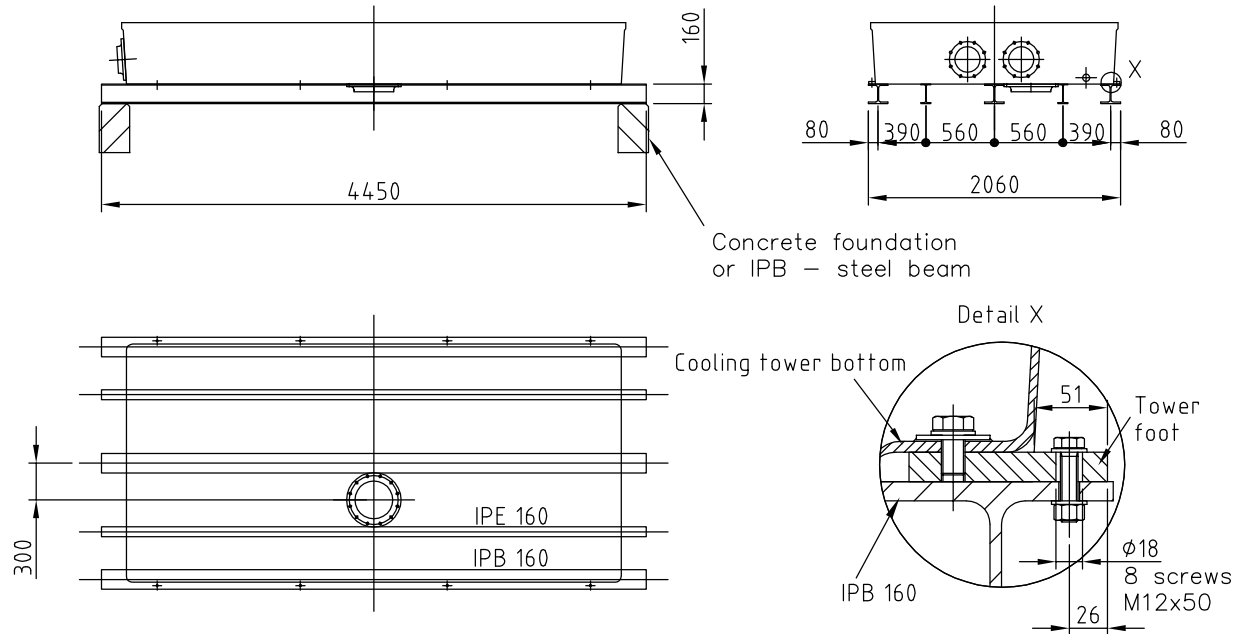
02-1110-001-0516-EN We reserve the right to make technical changes!



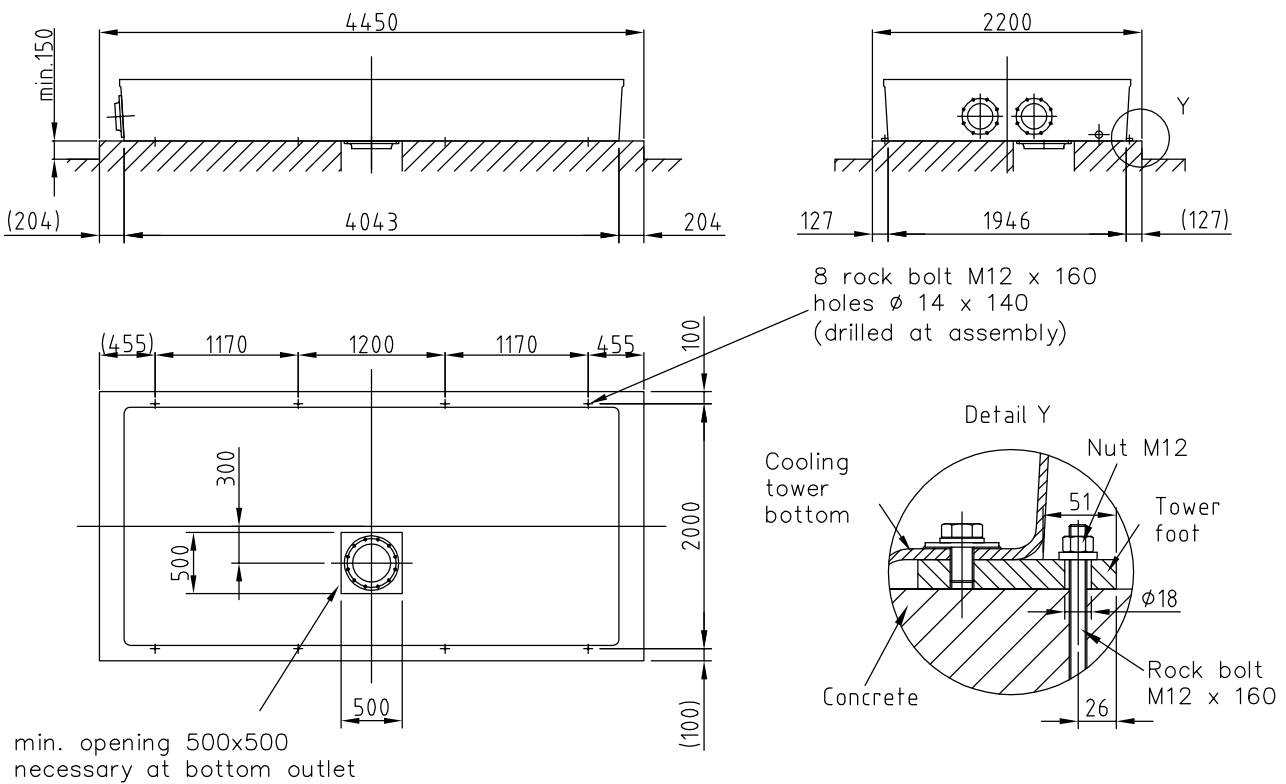
## Foundations plan HSA 9

Version with water-collection basin

### Supporting structure



### Concrete foundation



### Notes

- Views of the base and steel constructions
- Tolerances of the base by DIN 18205