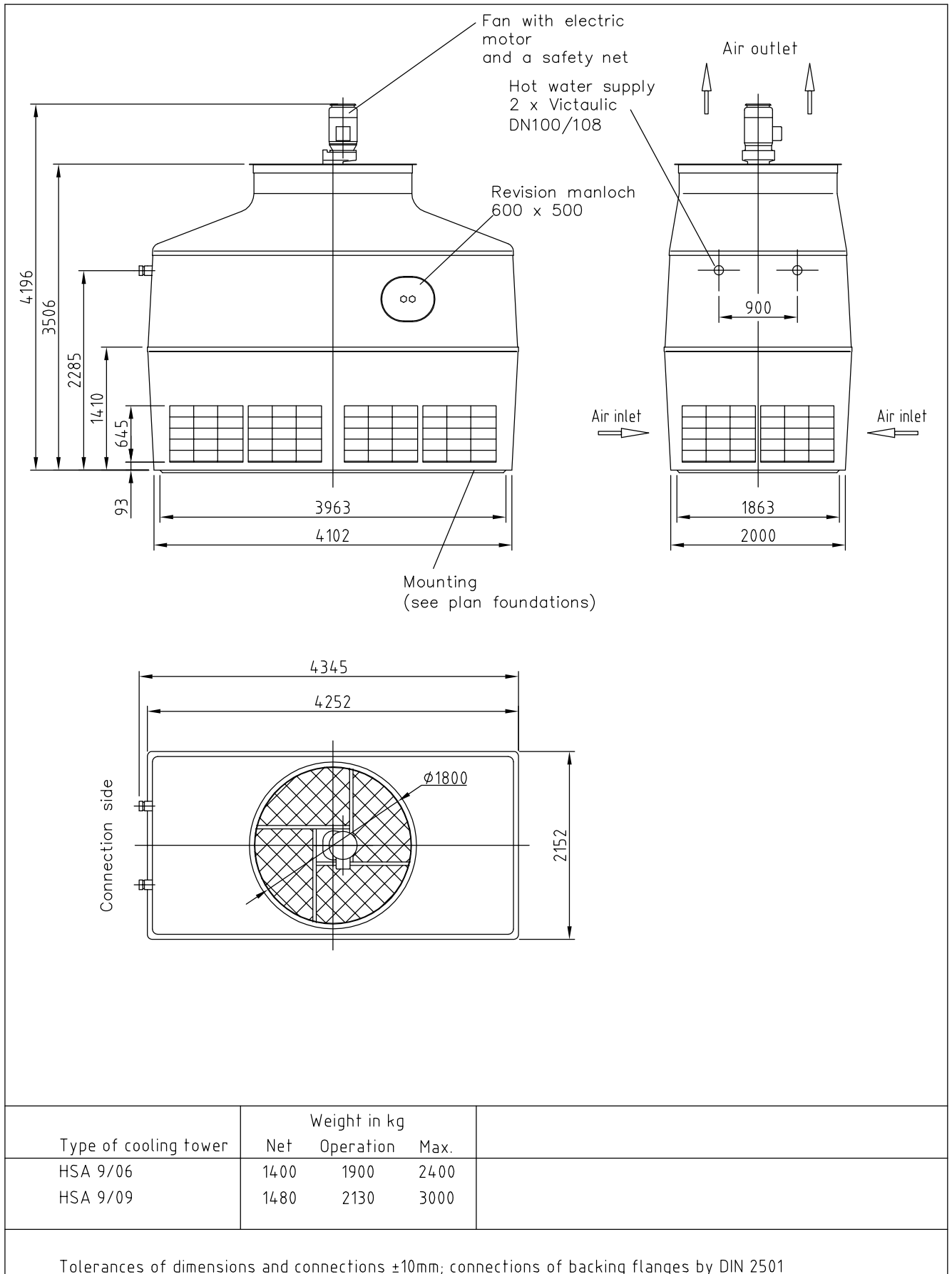


## Data sheet COOLING TOWER HSA 9

Version without water-collection basin

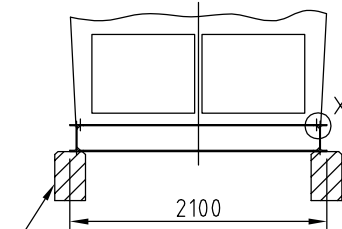
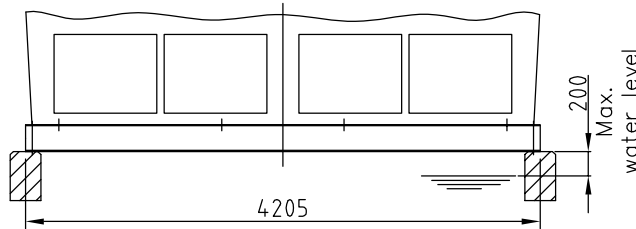


02-1110-002-0516-EN We reserve the right to make technical changes!

Foundations plan HSA 9

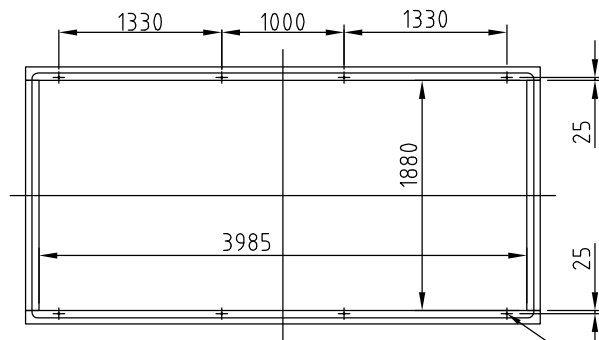
Version without water-collection basin

Supporting structure

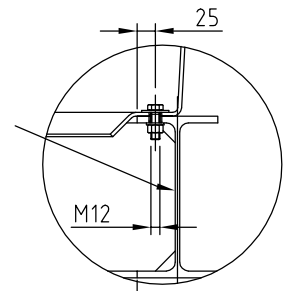


Concrete foundation or IPB – steel beam

Detail X



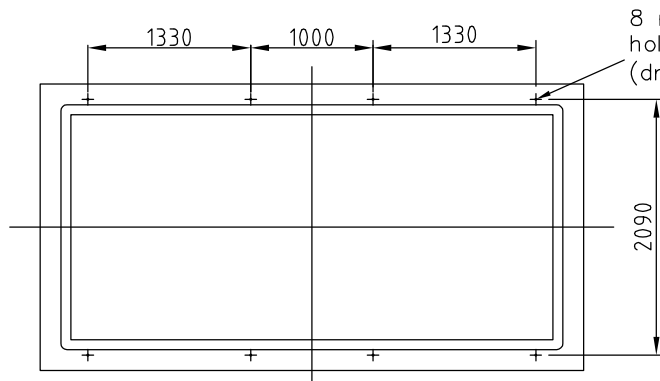
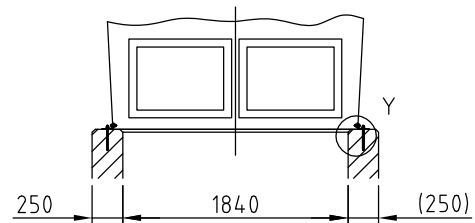
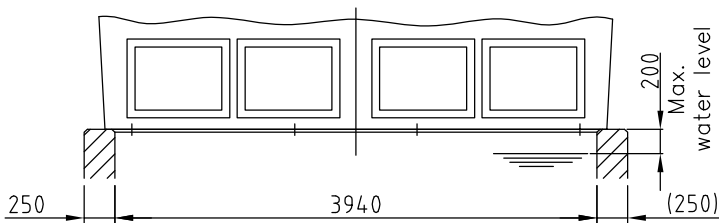
IPE 220 DIN 1025 (steel profiles dimensions need to be recalculated to static stability at different basin dimensions)



3985 x 1880  
Nominal measure of supporting structure

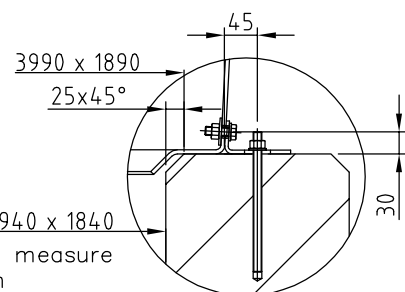
8 bolts M12x35 holes  $\varnothing 15$

Concrete foundation



8 rock bolts M12x160 holes  $\varnothing 14 \times 140$  (drilled at assembly)

Detail Y



3940 x 1840  
Nominal measure of basin

Notes

- Views of the base and steel constructions
- Tolerances of the base by DIN 18205