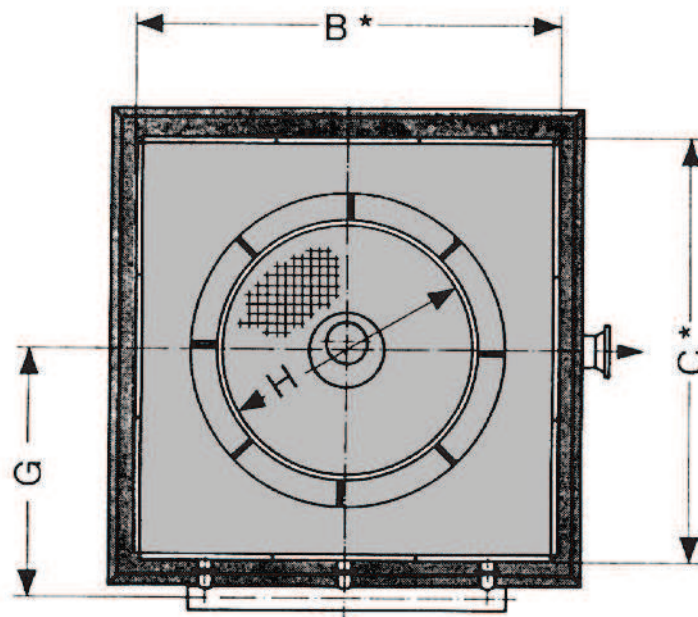
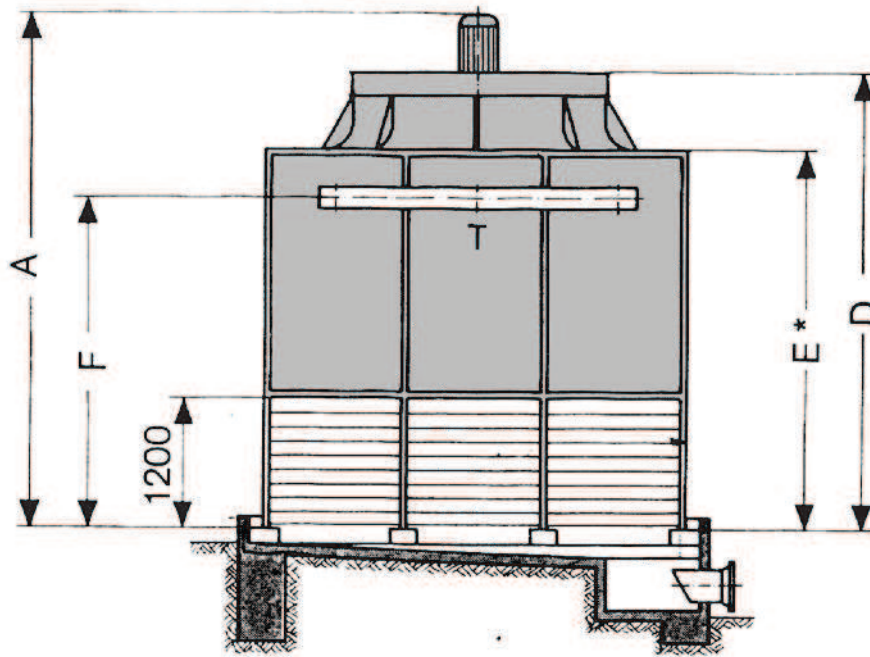


EQUIPMENT FOR COOLING TOWERS

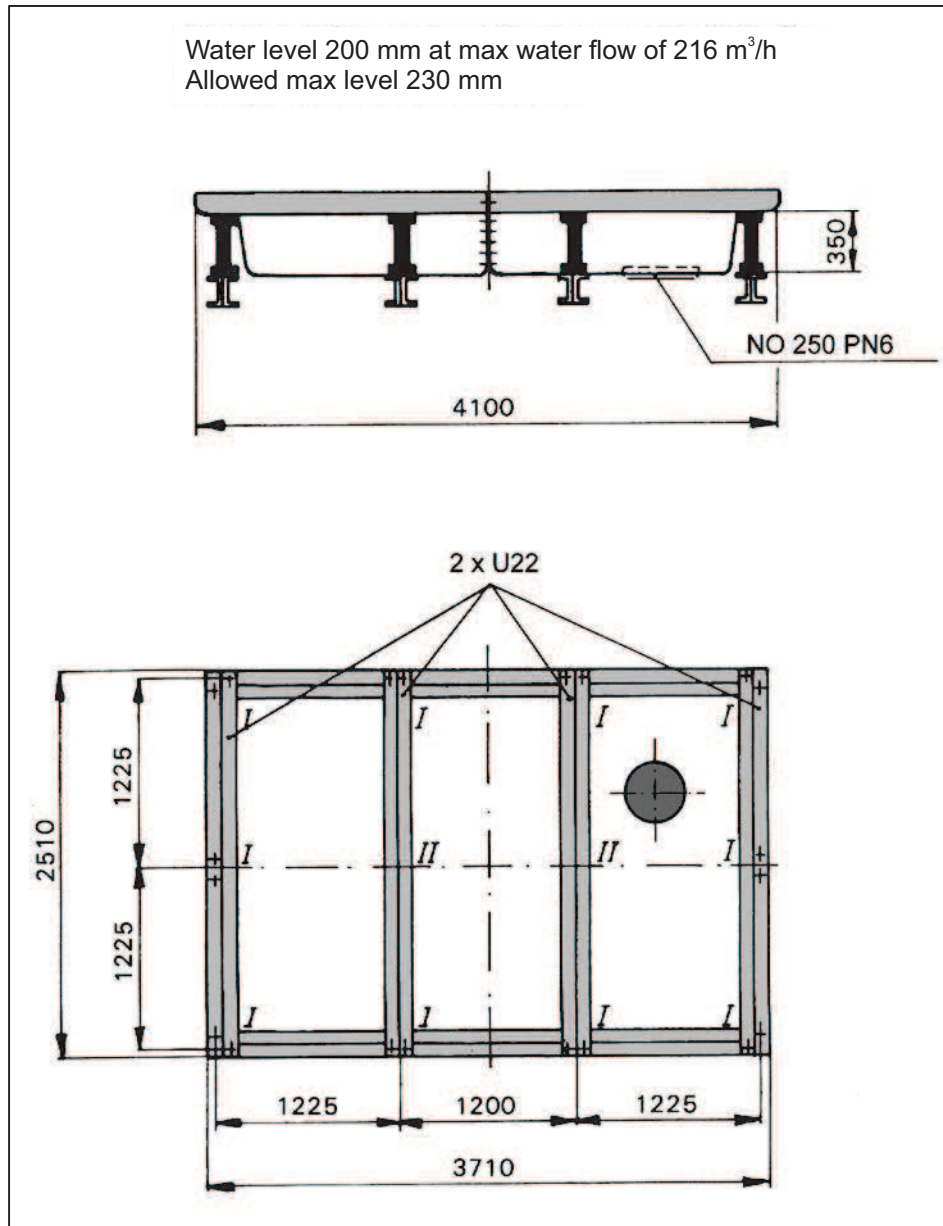
Measures of COOLING TOWER HSB 08



T - Hot water inlet

Type HSB	Weight in kg		A	B	C	D	E	F	G	H	J	K
	Operation	Net	mm	mm	mm	mm	mm	mm	mm	mm	mm	mm
08/06/09	3000	2000	4770	3700	2500	3880	3416	2848	2135	1828	-	-

Plan of foundations HSB 08



Cooling tower type	Weight in kg			Load without snow and wind in kg			
	Net	Operation	Max	Height of fill			
Type HSB 08	2000	3043	5170	Point	300	600	900
				1	360	400	440
				2	350	350	350
Dimensions in mm							