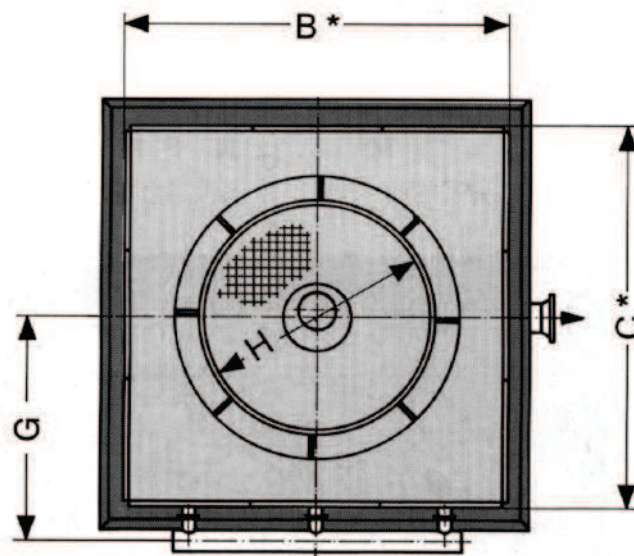
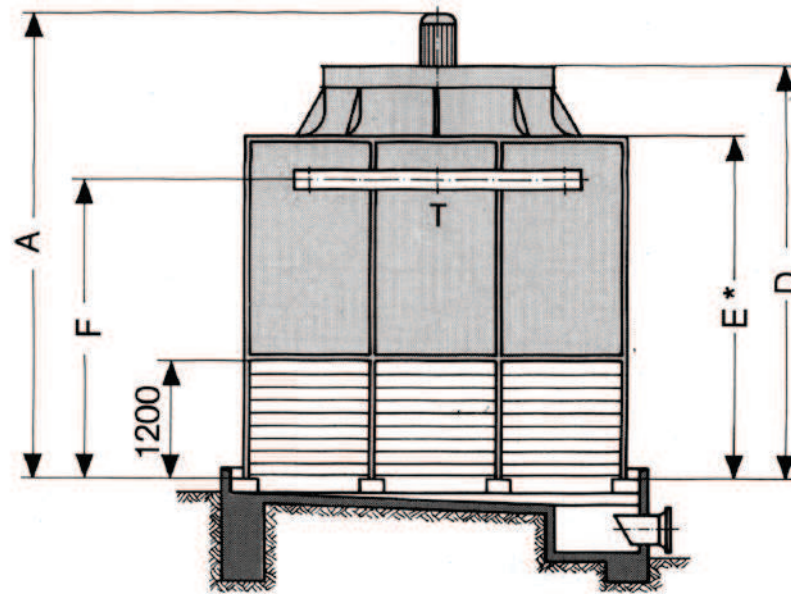


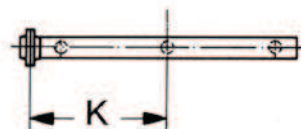
# EQUIPMENT FOR COOLING TOWERS

## Measures of COOLING TOWER HSB 13



T = warm water inlet

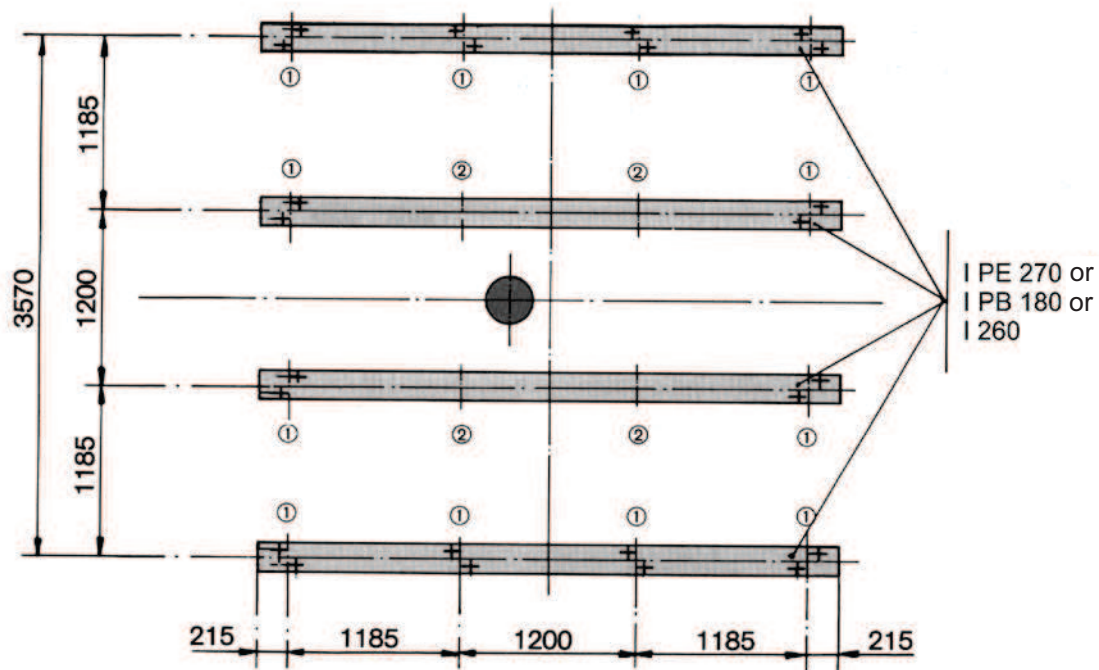
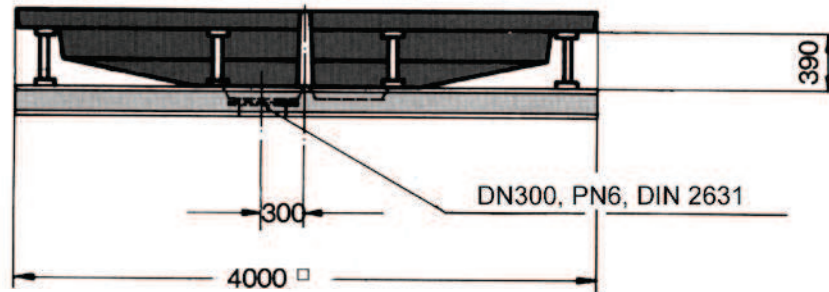
Type HSB 13  
DN 200 DIN 2632



Type HSB	Weight in kg		A	B	C	D	E	F	G	H	J	K
	Operation	Net	mm	mm	mm	mm	mm	mm	mm	mm	mm	mm
13/06/09	3900	2900	4900	3700	3700	4122	3416	2848	2183	2240	-	1353

Plan of foundations HSB 13

Water level 200 mm at max water flow of 362 m<sup>3</sup>/h  
 Allowed max level 230 mm



Cooling tower type	Weight in kg			Load without snow and wind in daN		
	Net	Operation	Max .	Height of fill		
HSB 13	366	1866	5634	Point	03/06	09
				1	400	440
				2	300	300

Dimensions in mm