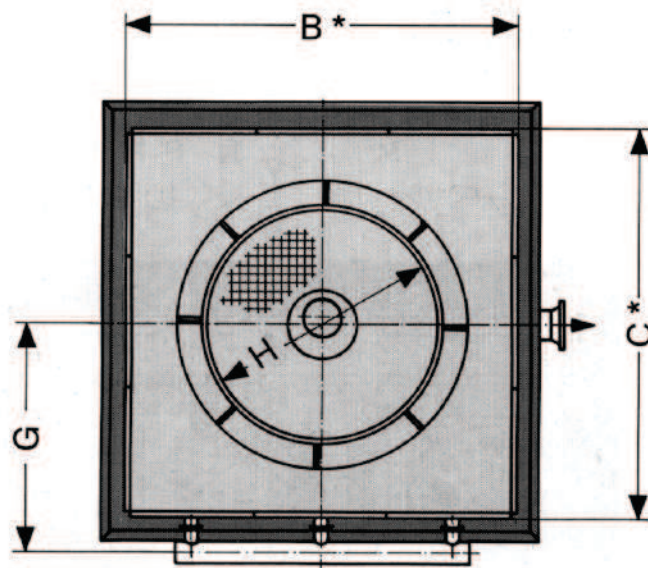
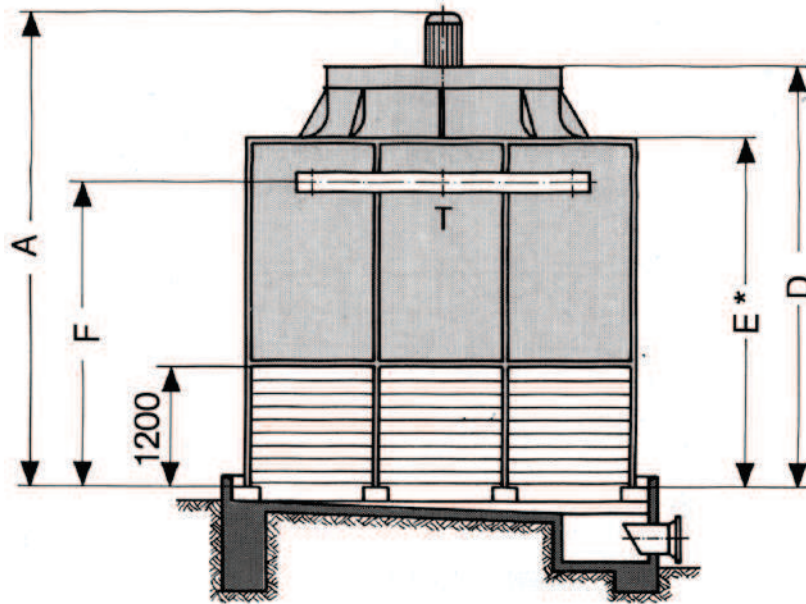


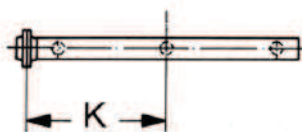
EQUIPMENT FOR COOLING TOWERS

Measures of COOLING TOWER HSB 17



T - Hot water inlet

Type HSB 17
DN200 DIN 2632



| Tip HSB | Weight in kg | | A | B | C | D | E | F | G | H | J | K |
|-------------|--------------|------|------|------|------|------|------|------|------|------|----|------|
| | Operation | Net | mm | mm | mm | mm | mm | mm | mm | mm | mm | mm |
| 17/03/06/09 | 4900 | 3500 | 4900 | 3700 | 4900 | 4052 | 3416 | 2848 | 2783 | 2500 | - | 1353 |

Plan of foundations HSB 17

