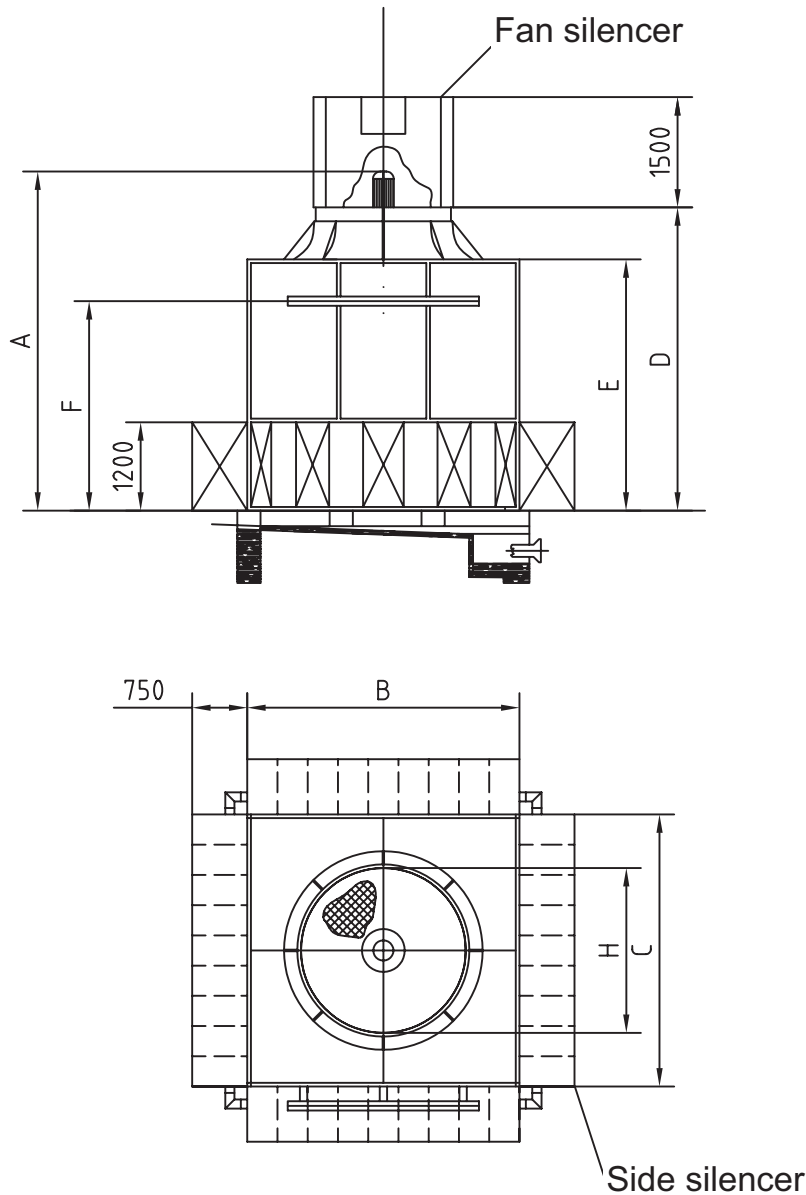


EQUIPMENT FOR COOLING TOWERS

Measures of COOLING TOWER HSB 17

With inlet and outlet silencer



Type HSB	Weight in kg		A	B	C	D	E	F	G	H	J	K
	Operation	Net	mm	mm	mm	mm	mm	mm	mm	mm	mm	mm
17/03/06/09	4900	3500	4900	3700	4900	4052	3416	2848	2783	2500	–	1353