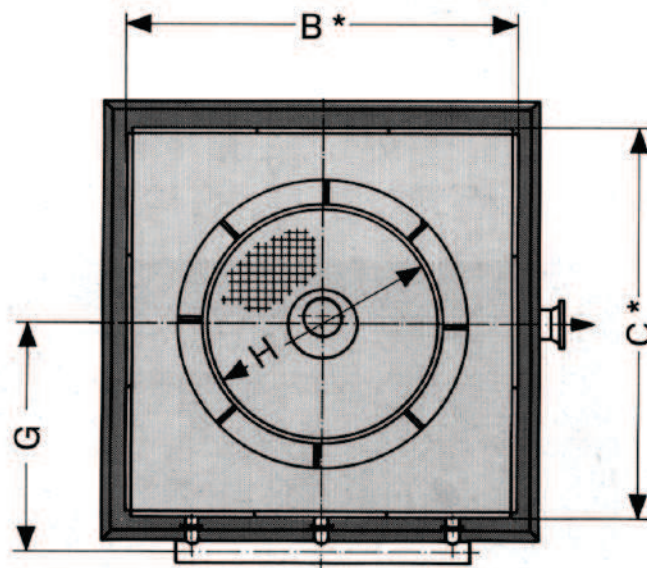
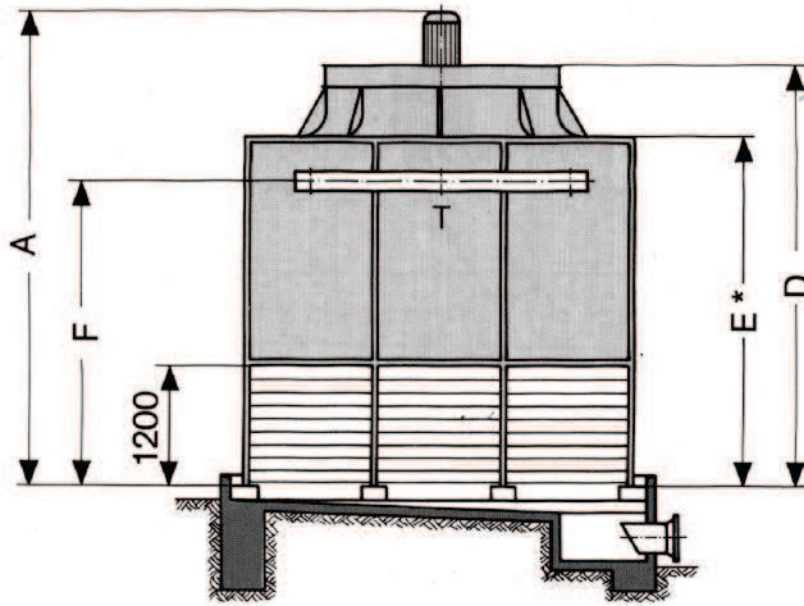
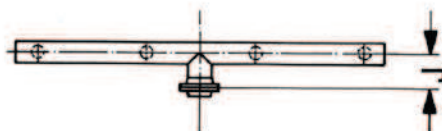


Measures of COOLING TOWER HSB 23 )



T - Hot water inlet

Type HSB 23  
DN300 DIN 2632



Type HSB	Weight in kg		A	B	C	D	E	F	G	H	J	K
	Operation	Net	mm	mm	mm	mm	mm	mm	mm	mm	mm	mm
23/03/06/09	6600	4700	5100	4900	4900	4268	3416	2848	2808	3150	300	-

Plan of foundations HSB 23

