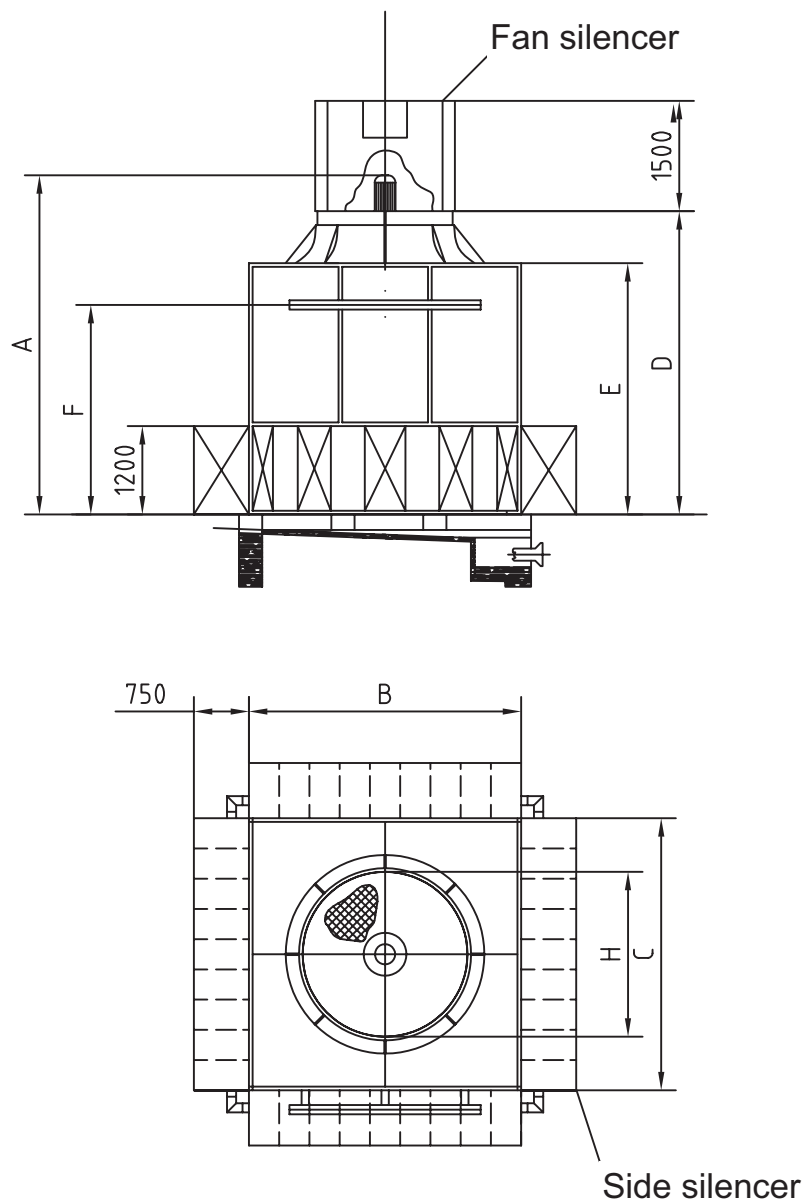


EQUIPMENT FOR COOLING TOWERS

Measures of COOLING TOWER HSB 23

With inlet and outlet silencer



Type HSB	Weight in kg		A	B	C	D	E	F	G	H	J	K
	Operation	Net	mm	mm	mm	mm	mm	mm	mm	mm	mm	mm
23/03/06/09	6600	4700	5100	4900	4900	4268	3416	2848	2808	3150	300	-