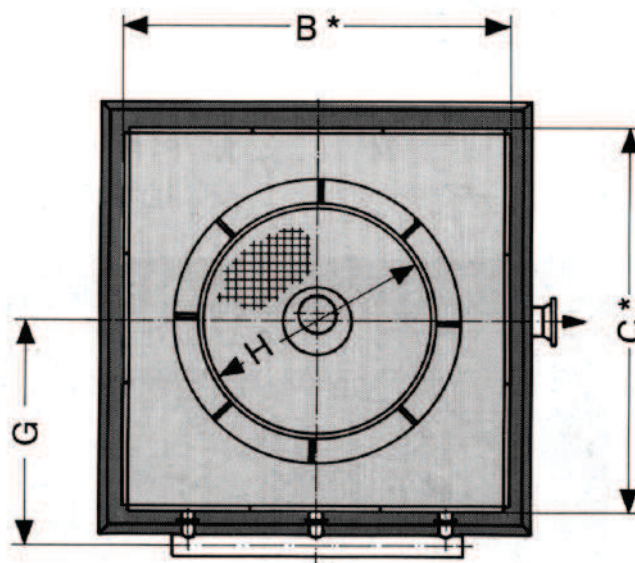
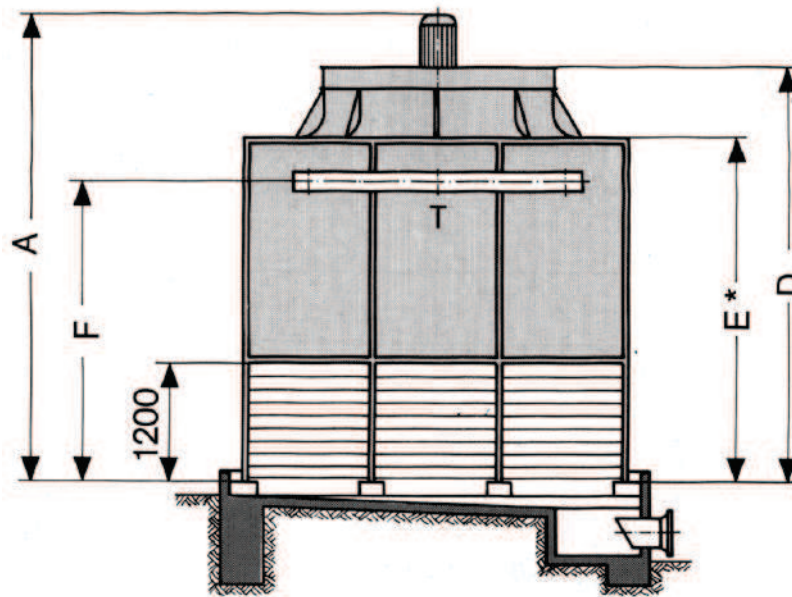
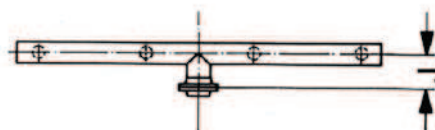


Measures of COOLING TOWER HSB 28



T - Hot water inlet

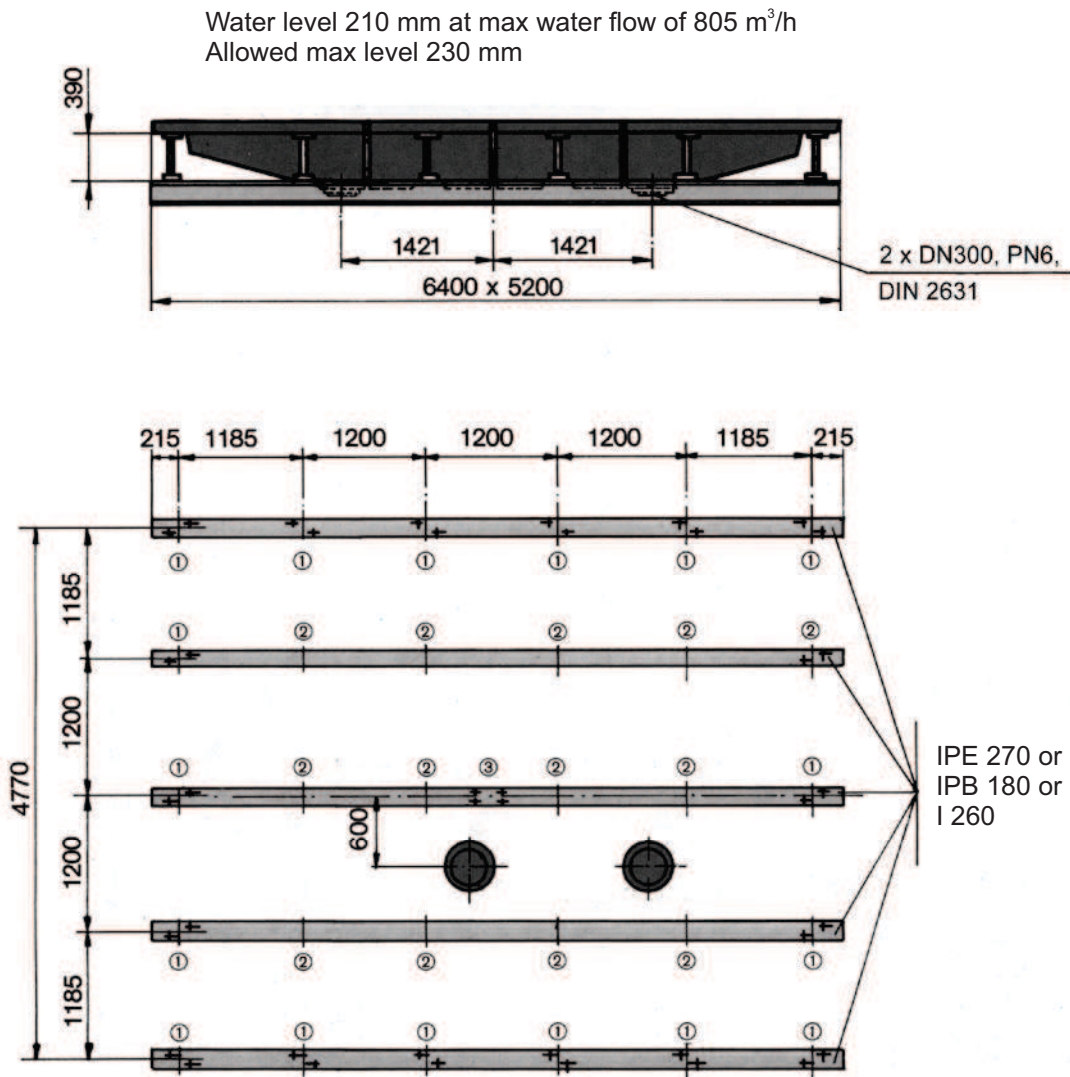
Type HSB 28  
DN300 DIN 2632



Type HSB	Weight in kg		A	B	C	D	E	F	G	H	J	K
	Operation	Net	mm	mm	mm	mm	mm	mm	mm	mm	mm	mm
28/03/06/09	9200	6800	5150	4900	6100	4322	3416	2848	3410	3550	300	-

02-2040-001-0516-EN We reserve the rights for technical changes!

Plan of foundations HSB 28



Cooling tower type	Net	Weight in kg		Load without snow and wind in daN		
		Operation	Max	Height of fill		
Type HSB 28	797	4600	13135	Point	03/06	09
				1	390	480
				2	350	350
Dimensions in mm						