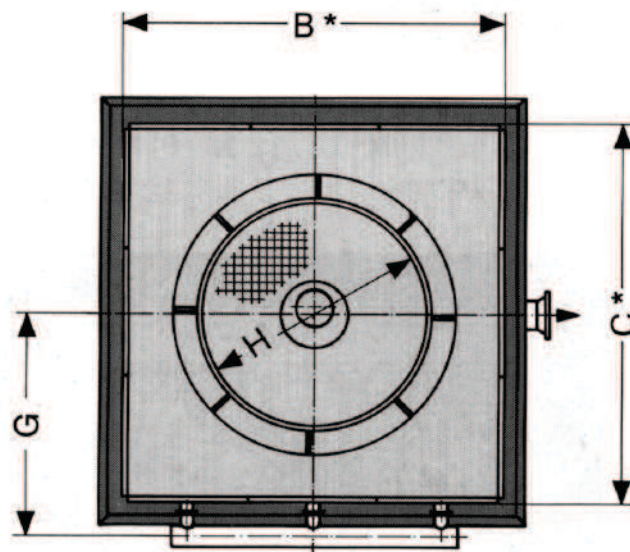
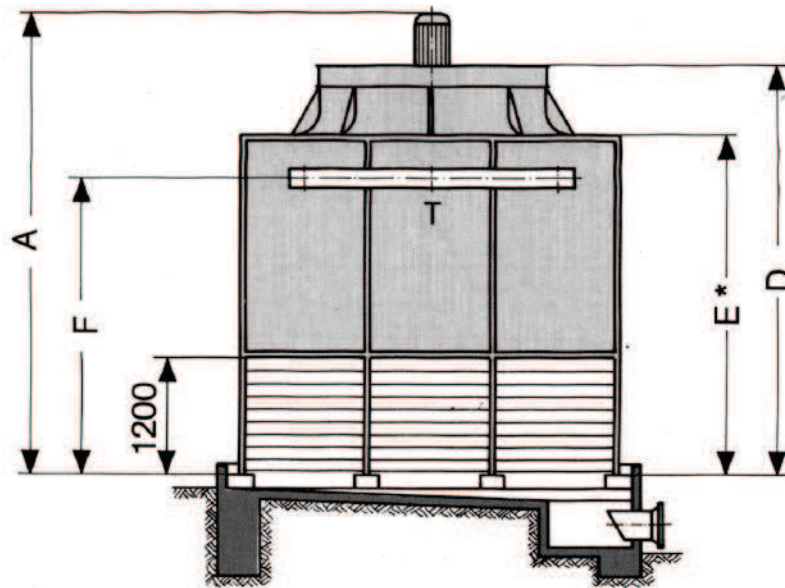


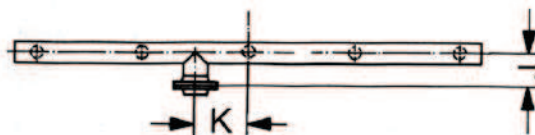
EQUIPMENT FOR COOLING TOWERS

Measures of COOLING TOWER HSB 36



T - Hot water inlet

Type HSB 36
DN300 DIN 2631



Type HSB	Weight in kg		A	B	C	D	E	F	G	H	J	K
	Operation	Net	mm	mm	mm	mm	mm	mm	mm	mm	mm	mm
36/06/09	11500	8600	5100	6150	6150	4266	3416	2848	3421	4000	300	625