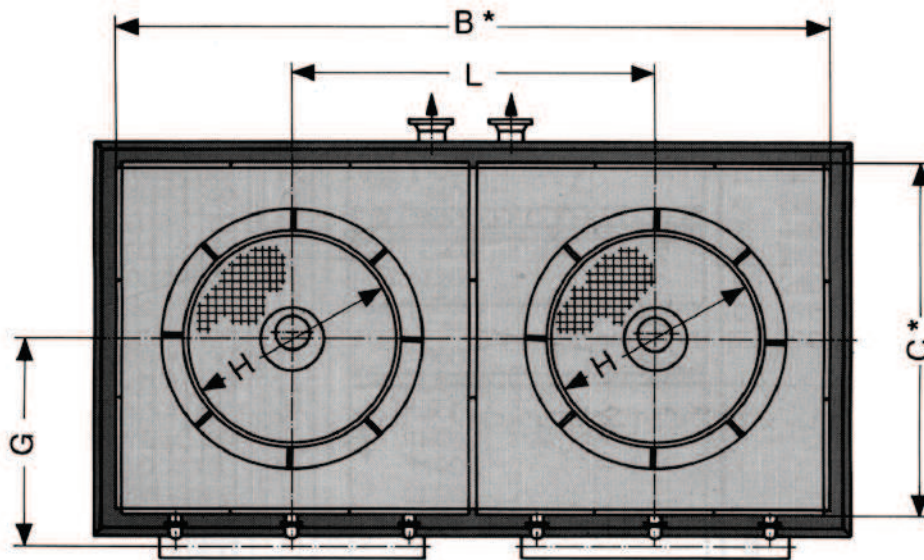
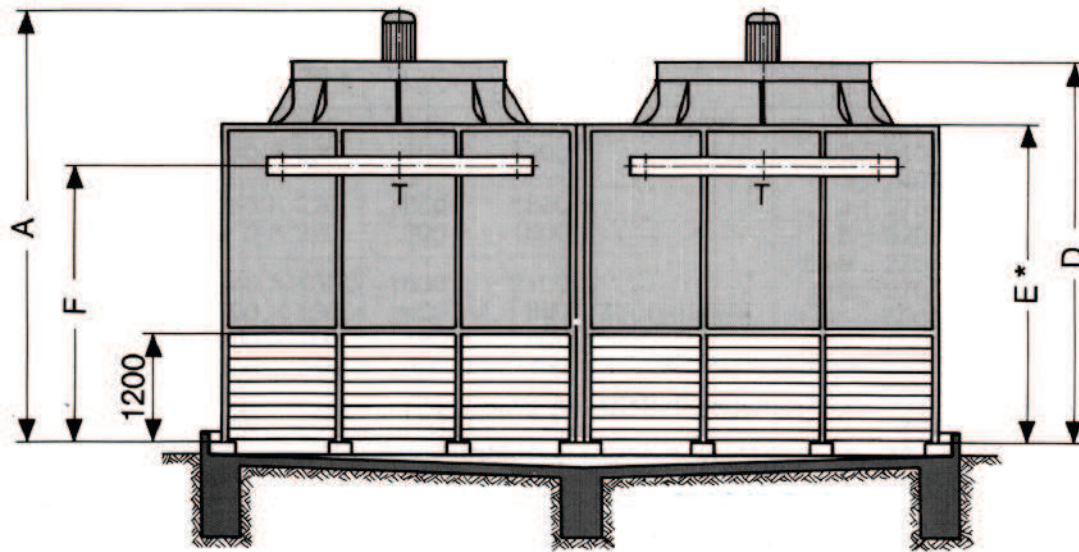
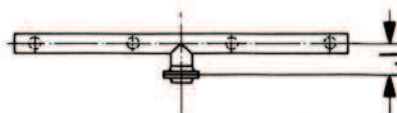


Measures of COOLING TOWER HSB 57



T - Hot water inlet

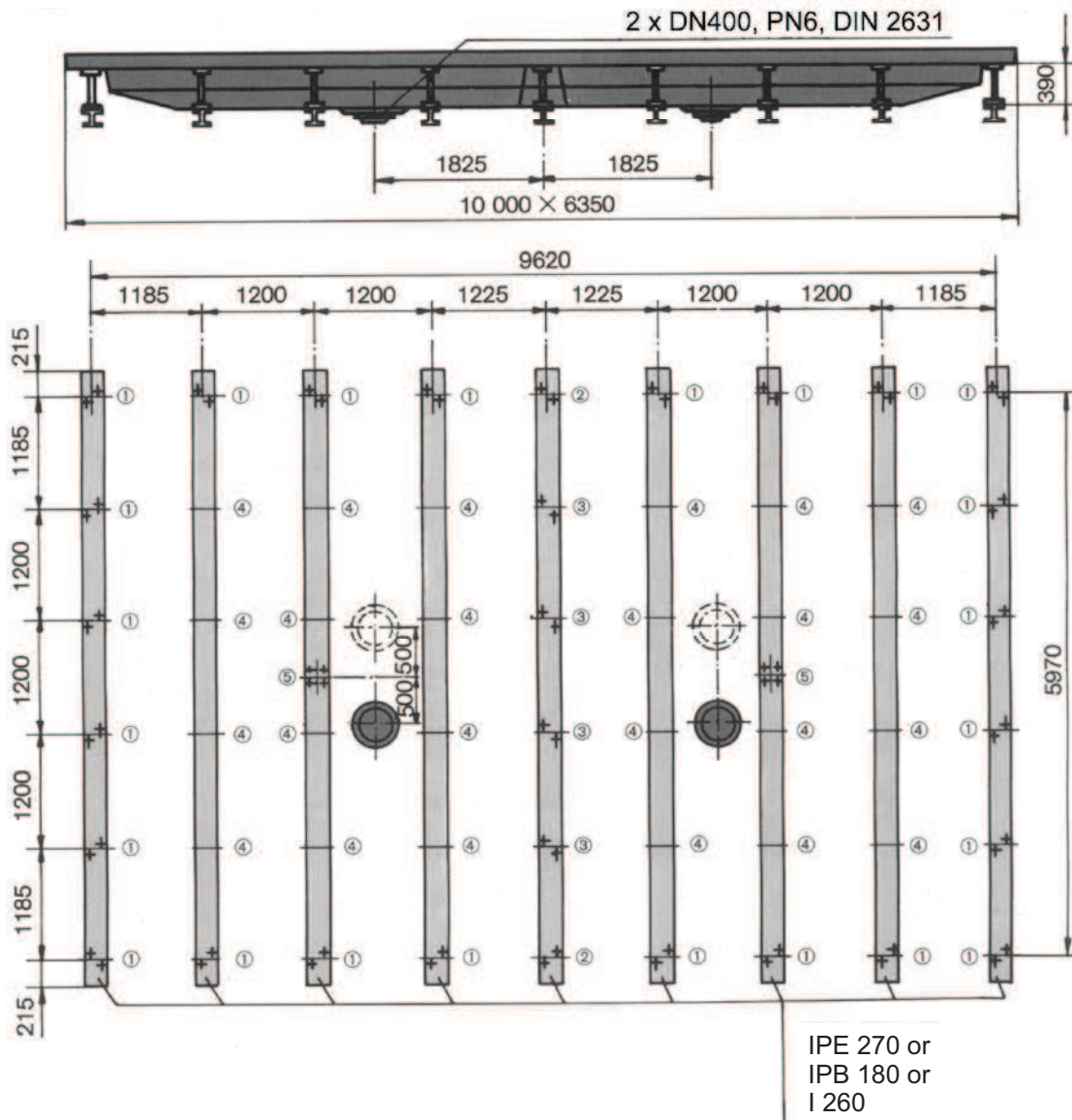
Type HSB 57  
DN300 DIN2632



Type HSB	Weight in kg		A	B	C	D	E	F	G	H	J	K	L
	Operation	Net	mm	mm	mm	mm	mm	mm	mm	mm	mm	mm	mm
57/03/06/09	16300	11500	5150	9750	6100	4322	3416	2848	3410	3550	300	-	4850

## Plan of foundations HSB 57

Water level 210 mm at max water flow of 1610 m<sup>3</sup>/h  
 Allowed max level 230 mm



Cooling tower type	Weight in kg			Load without snow and wind in daN		
	Net	Operation	Max	Height of fill		
Type HSB 57	1528	11130	27503	Point	03/06	09
				1	390	480
				2	730	910
				3	830	1010
				4	300	350

Dimensions in mm