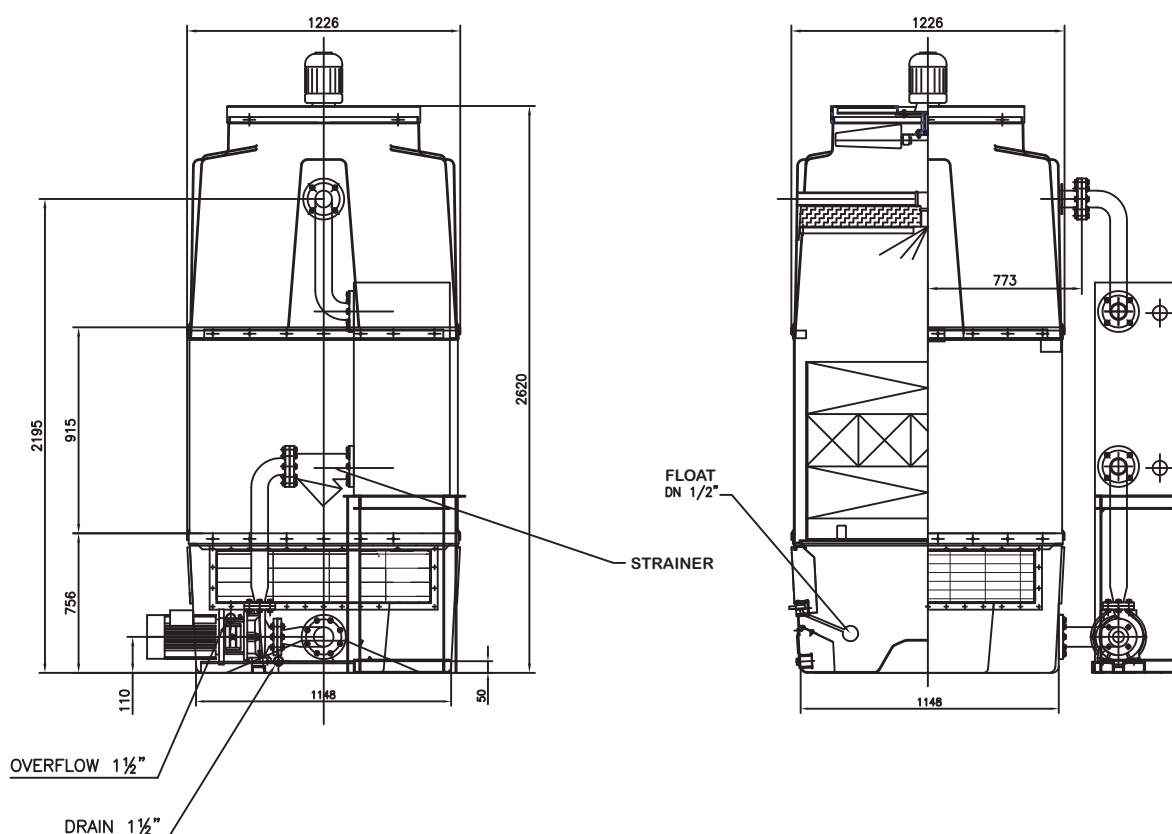


# EQUIPMENT FOR COOLING SYSTEMS

## Data sheet for COOLING TOWER HSA Z 1



Type of cooling tower	Weight (kg)		Outlet of cold water at collection basin			
	Net	Operation	Flow rate m <sup>3</sup> /h	5-8	8-25	25-30
HSA Z 1/09	800	1350	Side drain Bottom drain	1xDN50 1xDN50	1xDN65 1xDN65	1xDN80 1xDN80

02-2220-012-0616-EN We reserve the rights to make technical changes!