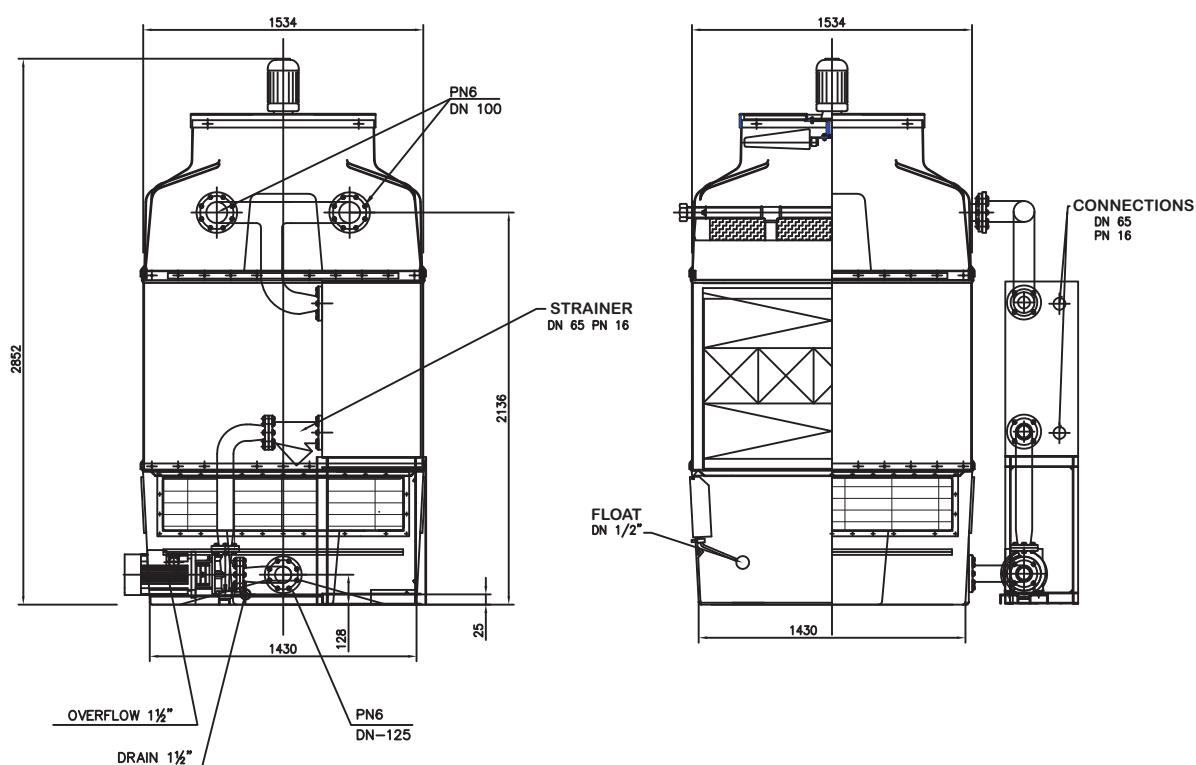


EQUIPMENT FOR COOLING SYSTEMS

Data sheet for COOLING TOWER HSA Z 2



Type of cooling tower	Weight (kg)		Outlet of cold water at collection basin			
	Net	Operation	Flow rate m³/h	10-25	25-35	35-60
HSA Z 2/09	1000	2100	Side drain Bottom drain	1xDN65 1xDN65	1xDN80 1xDN80	1xDN100 1xDN100

Tolerances of dimensions and connections ±10mm; connections of backing flanges by DIN 2501