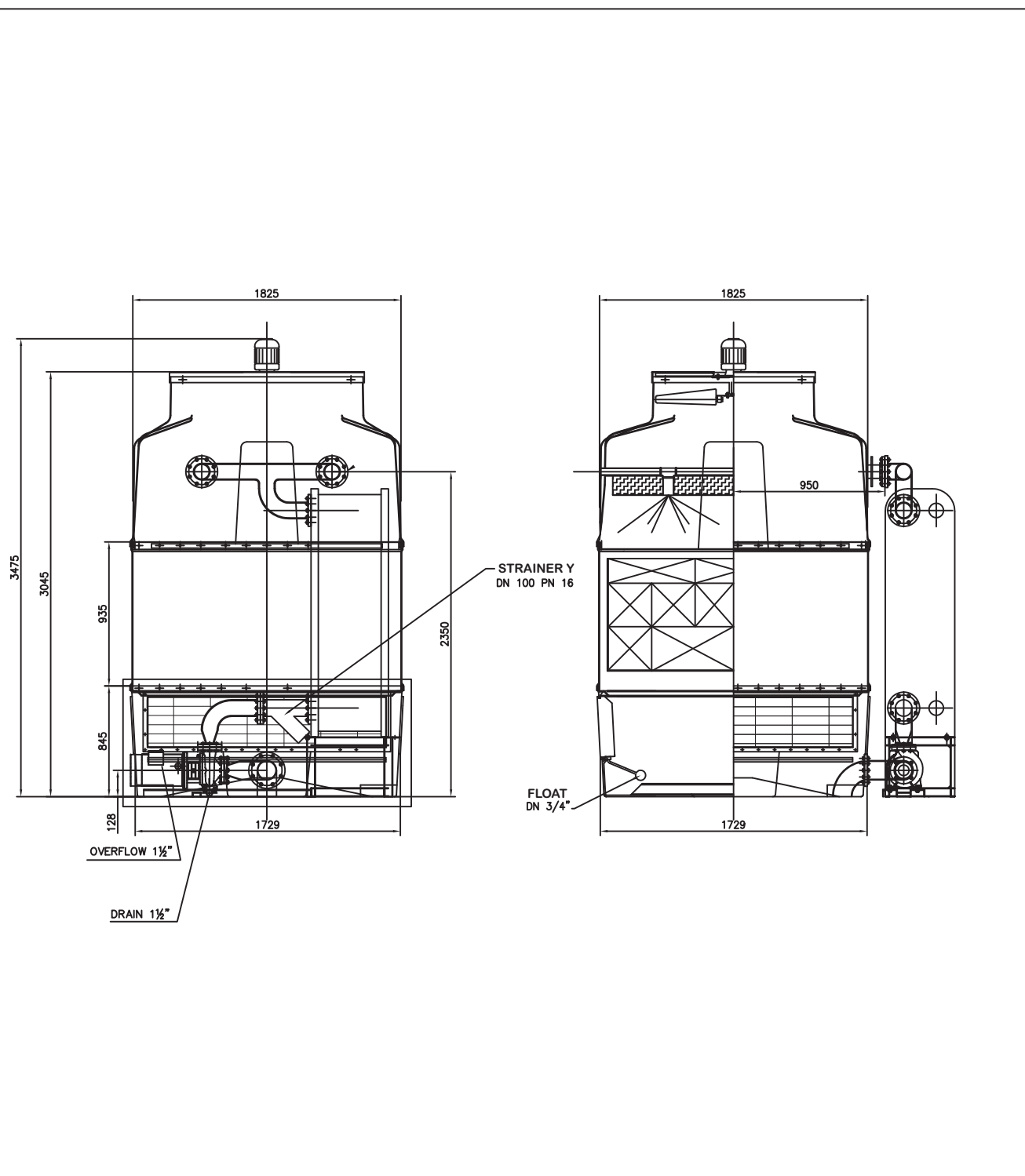


EQUIPMENT FOR COOLING SYSTEMS

Data sheet for COOLING TOWER HSA Z 3



Type of cooling tower	Weight (kg)		Outlet of cold water at collection basin				
	Net	Operation	Flow rate m ³ /h	15-25	25-35	35-60	60-90
HSA Z 3/09	1350	2800	Side drain	1xDN65	1xDN80	1xDN100	1xDN125
			Bottom drain	1xDN65	1xDN80	1xDN100	1xDN125

Tolerances of dimensions and connections ±10mm; connections of backing flanges by DIN 2501