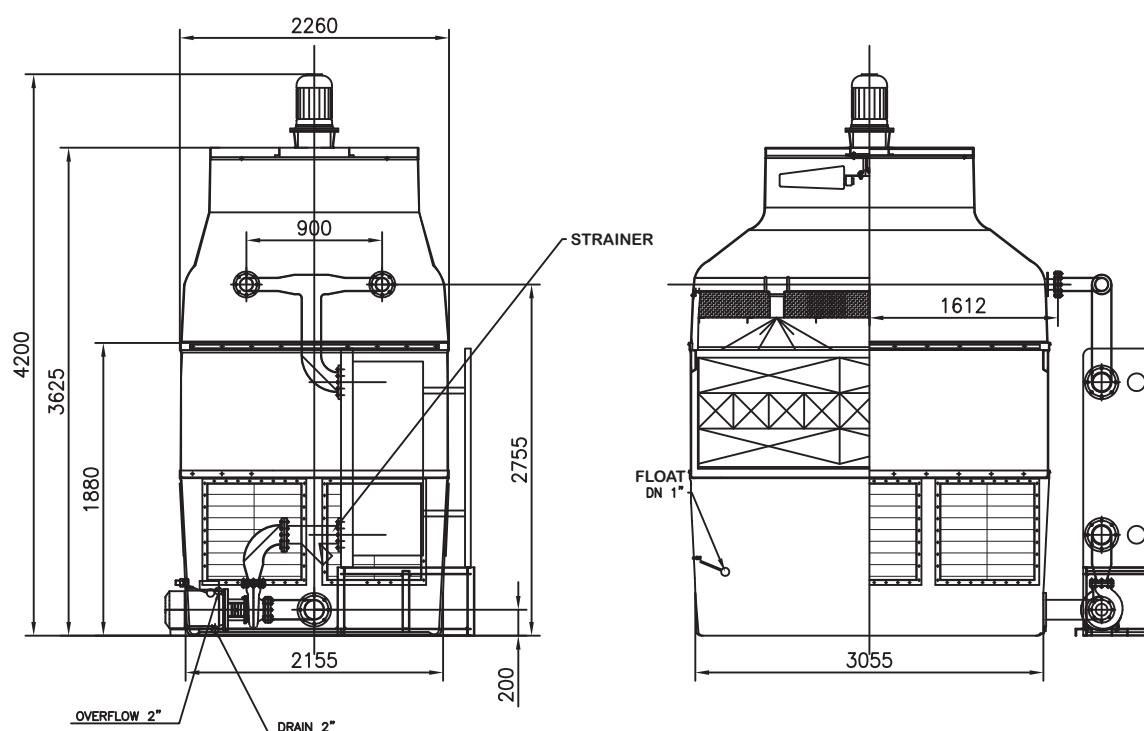


EQUIPMENT FOR COOLING SYSTEMS

Data sheet for COOLING TOWER HSA Z 6



Type of cooling tower	Weight (kg)		Outlet of cold water at collection basin				
	Net	Operation	Flow rate m ³ /h	30 - 60	60 - 100	100 - 130	130 - 180
HSA Z 6/09	2500	6000	Side drain	1xDN100	1xDN125	1xDN150	1xDN200
			Bottom drain	1xDN100	1xDN125	1xDN150	1xDN200

Tolerances of dimensions and connections $\pm 10\text{mm}$; connections of backing flanges by DIN 2501