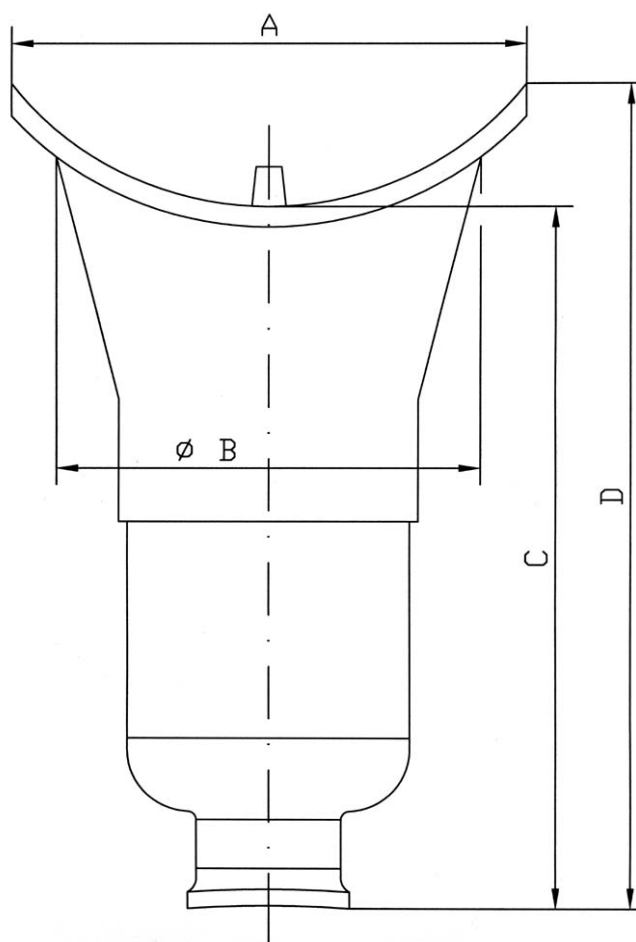


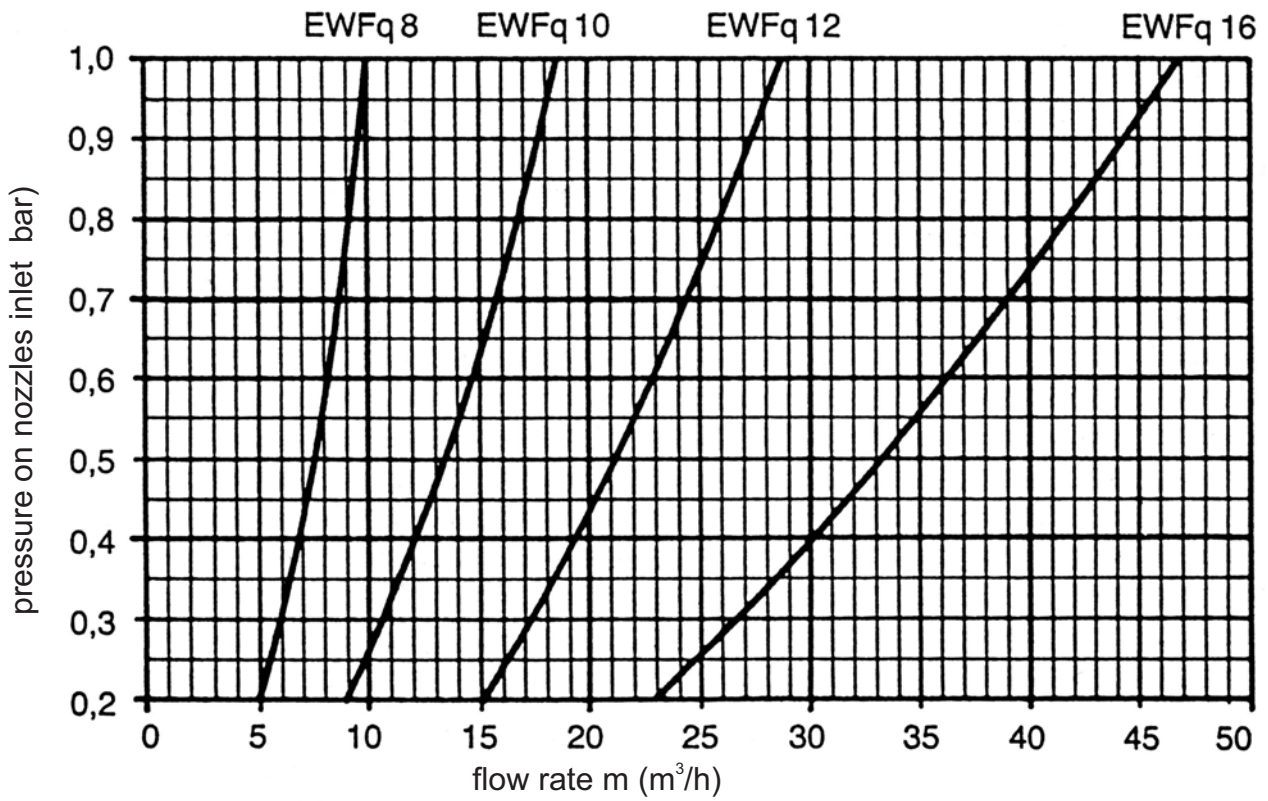
# Nozzle for cooling tower

Type EW Fq

Mark for nozzle	Dimensions [mm]				
	A	B	C	D	Lenght
EW 8	100	80	169	195	123
EW 10	100	80	169	195	123
EW 12	100	80	169	195	123
EW 16	100	100	180	207	123



## Diagram for selection nozzles for the cooling tower



Nozzles are made of PVC material!